

# Sun Fire™ E2900 Server

*Just the Facts*

**September 2007**

SunWin token 401325



Sun Confidential – For internal and authorized partner use only

## Copyrights

©2007 Sun Microsystems, Inc. All Rights Reserved.

Sun, Sun Microsystems, the Sun logo, Sun Fire, Netra, Ultra, UltraComputing, Sun Enterprise, Sun Enterprise Ultra, Starfire, Solaris, Sun WebServer, OpenBoot, Solaris Web Start Wizards, Solstice, Solstice AdminSuite, Solaris Management Console, SEAM, SunScreen, Solstice DiskSuite, Solstice Backup, Sun StorEdge, Sun StorEdge LibMON, Solstice Site Manager, Solstice Domain Manager, Solaris Resource Manager, ShowMe, ShowMe How, SunVTS, Solstice Enterprise Agents, Solstice Enterprise Manager, Java, ShowMe TV, Solstice TMNscript, SunLink, Solstice SunNet Manager, Solstice Cooperative Consoles, Solstice TMNscript Toolkit, Solstice TMNscript Runtime, SunScreen EFS, PGX, PGX32, SunSpectrum, SunSpectrum Platinum, SunSpectrum Gold, SunSpectrum Silver, SunSpectrum Bronze, SunStart, SunVIP, SunSolve, and SunSolve EarlyNotifier are trademarks or registered trademarks of Sun Microsystems, Inc. in the United States and other countries.

All SPARC trademarks are used under license and are trademarks or registered trademarks of SPARC International, Inc. in the United States and other countries. Products bearing SPARC trademarks are based upon an architecture developed by Sun Microsystems, Inc.

UNIX is a registered trademark in the United States and other countries, exclusively licensed through X/Open Company, Ltd.

All other product or service names mentioned herein are trademarks or registered trademarks of their respective owners.

Table of Contents



<b>Chapter 1: Sun Fire™ E2900 Server Positioning</b> .....	<b>1</b>
Introduction.....	1
Product Family Placement.....	2
Comparison Sun Fire E4900 & E6900 vs. Sun Fire E2900.....	4
Key Messages.....	5
High-performance UltraSPARC IV+ Processors.....	5
Scalability and Performance.....	5
Integrated Controllers.....	5
I/O Subsystem.....	5
Operating Environment.....	6
Key Features and Benefits.....	6
Target Users.....	7
Target Industries.....	7
Target Applications.....	8
Competitive Information.....	9
Competitive Positioning.....	9
<b>Chapter 2: Selling Highlights</b> .....	<b>12</b>
Market Value Proposition.....	12
Applications.....	12
Compatibility.....	13
<b>Chapter 3: Enabling Technology</b> .....	<b>14</b>
UltraSPARC® IV+ Multithreaded Processors.....	14
Technology Overview—Chip Multithreading.....	15
The UltraSPARC IV+ Processor.....	15
UltraSPARC IV+ Enhancements.....	16
The UltraSPARC IV+ Cache Hierarchy.....	18
System Interface.....	19
Chip Technology.....	20
<b>Chapter 4: System Architecture</b> .....	<b>21</b>
CPU/Memory Boards.....	21
Memory.....	22
Sun Fireplane Interconnect (System Bus).....	23
I/O Subsystem Architecture.....	25
The original PCI assembly:.....	25
PCI+ Assembly (PCI+ IB-SSC):.....	25
New PCI-X Assembly:.....	25
Standby System Controller.....	28
PCI Connectivity.....	29
Peripherals, Networking, and Back Panel.....	29
Ethernet Support.....	30
Serial Port.....	30
Ultra320 SCSI Storage Controller.....	30
Power Distribution System.....	31
Fans.....	31
System Configuration Card.....	32
Lights Out Management (LOM).....	32



Environmental Monitoring and Control (EM&C) System.....	32
Rack mounting.....	33
<b>Chapter 5: Reliability, Availability, and Serviceability.....</b>	<b>35</b>
Reliability.....	35
Availability.....	35
Serviceability.....	37
Auto Diagnosis and Recovery Features.....	38
<b>Chapter 6: Installation Data.....</b>	<b>40</b>
Dimensions.....	40
Environment.....	40
Power Requirements.....	40
Temperature.....	41
BTU/Heat-load Data.....	41
Humidity (non-condensing).....	42
Regulatory.....	42
<b>Chapter 7: The Sun Fire E2900 Server and Racks.....</b>	<b>43</b>
Overview.....	43
Power.....	43
Power Supplies.....	43
Racks.....	44
Cable Management Arm.....	44
Sliders.....	44
Recommended Sun Microsystems Rack.....	45
Third-Party Racks.....	45
<b>Chapter 8: Requirements and Configuration.....</b>	<b>46</b>
System Requirements.....	46
Licensing/Usage.....	46
Operating System Environment.....	46
Upgrades to Solaris 8 from Previous Versions.....	46
Alarms.....	46
<b>Chapter 9: System Management.....</b>	<b>48</b>
System Administration.....	48
Lights Out Management (LOM) and System Controller (SC).....	48
OpenBoot Firmware.....	49
Power On Self Test (POST).....	49
Sun Management Center 3.5 V6.....	49
Solaris Management Console Software.....	51
Solaris Resource Manager Software.....	52
Sun Cluster Software.....	52
SunVTS Software.....	53
Capacity on Demand (COD 2.0).....	53
Key Features & Benefits.....	54



<b>Chapter 10: Ordering Information</b>	<b>56</b>
<u>Assemble-to-order Configurations (ATO)</u>	56
<u>Base Chassis &amp; Bundles</u>	56
<u>ATO Options</u>	61
<u>Configuration Rules</u>	61
<u>Capacity On Demand (COD) Configurations (note: Sun Fire E2900 will not support 1.95GHz configurations with COD)</u>	61
<b>Chapter 11: Options</b>	<b>63</b>
<u>Internal Options</u>	63
<u>Storage</u>	67
<u>Boot Devices</u>	68
<u>Storage Disks/Arrays</u>	68
<u>Other Options &amp; Upgrades</u>	68
<u>Power Cords</u>	69
<u>The Sun SM Customer Ready Systems (CRS) Program</u>	70
<u>Sun Fire E2900 Server through CRS</u>	70
<u>Ordering Sun Fire E2900 Server through CRS</u>	70
<b>Chapter 12: Upgrades</b>	<b>71</b>
<u>Sun Upgrade Advantage Program (UAP)</u>	71
<u>The Sun Upgrade Advantage Program (UAP) offers trade-in discounts for upgrades from qualified Sun or competitive servers toward replacement Sun Fire enterprise servers with trade-in allowances of up to 20% applied to replacement servers, and up to 25% applied toward replacement system boards.</u>	71
<b>Chapter 13: Sun Services</b>	<b>73</b>
<u>Professional Consulting Services</u>	73
<u>Architecture Services</u>	73
<u>SunReadySM Availability Assessment Service (SRAA)</u>	73
<u>Enterprise Security Assessment Service</u>	74
<u>Performance and Capacity Planning</u>	74
<u>Application Readiness Service (ARS)</u>	74
<u>Migration Services</u>	74
<u>Server Consolidation Assessment Service</u>	74
<u>Training</u>	74
<u>Sun Fire Workgroup/Enterprise Server Administration Course</u>	74
<u>Solaris Operating Environment Courseware and Professional Certification</u>	75
<u>Education Consulting Services</u>	75
<u>Sun Fire Skills Package</u>	75
<u>Other Applicable Courseware</u>	75
<u>Support Services</u>	75
<u>SunSpectrumSM Support</u>	75
<u>Warranty</u>	77
<u>SunSpectrum Instant Upgrades (SIU)</u>	77
<u>Enterprise Installation Service (EIS) for the Sun Fire E2900 Server</u>	77
<u>Sun RAS Profile</u>	78
<u>Online Support Center</u>	78
<u>Sun Remote Services (SRS) Net Connect</u>	78
<u>Accredited Installation Provider Program (AIP)</u>	78



<a href="#">Chapter 14: Glossary</a> .....	79
<a href="#">Chapter 15: Materials Abstract</a> .....	81
<a href="#">Chapter 16: Change Log</a> .....	83



# Chapter 1: Sun Fire™ E2900 Server Positioning

---

## Introduction

Continuing to execute on Sun's Throughput Computing Strategy, the Sun Fire™ E2900 server now support the new UltraSPARC® IV+ processor which incorporates significant design improvements that have been built with Texas Instruments' 90 nm chip technology. The result is that the Sun Fire E2900 server with UltraSPARC IV+ processors can deliver over 2X the performance of previous UltraSPARC IV processors in the same footprint. Furthermore, compared to the original UltraSPARC III based Sun Fire V1280 server, the new UltraSPARC IV+ based Sun Fire E2900 server can deliver over 5X the performance in the same footprint and in the same chassis. Like its predecessors, the UltraSPARC IV+ processor boards are backwards compatible with previous Sun Fire E2900 and V1280 servers and can be mixed in the same system with UltraSPARC III and/or UltraSPARC IV processor boards, each of which will operate at rated speeds. The result is unparalleled investment protection and maximum performance.

The UltraSPARC IV+ processor is the fifth generation UltraSPARC processor and it maintains Sun's tradition of binary compatibility. This CPU preserves the investment customers have made in development tools and application software, and also helps current Sun Fire E2900 & V1280 server customers preserve the investments made in their systems.

This investment protection is a cornerstone of the entire product line. The current UltraSPARC III based Sun Fire V1280 can be upgraded with UltraSPARC IV & IV+ processor boards, and the Sun Fire E2900 server can be configured to mix customers' existing UltraSPARC III boards with new UltraSPARC IV & IV+ boards.

A high-performance, low cost datacenter server for enterprise network computing, the Sun Fire E2900 rack-optimized server is designed to be flexible, scalable, and dense. The Sun Fire E2900 server is ideal for medium and large enterprises which use large numbers of servers in a data center environment, or other environments where high performance, low cost, and rack density are important.

The Sun Fire E2900 server may be configured with up to twelve processors, running Solaris™ Operating Environment, version 8, 9, or 10. As always, existing applications running on earlier versions of the Solaris platform are fully compatible with the Solaris OS running on the Sun Fire E2900 server.

The Sun Fire E2900 server is ideal for applications that require more processing power than available on previous generations of UltraSPARC II or III based rack-optimized servers, such as the Sun Enterprise 4500 server or Sun Fire V1280 server. It incorporates many reliability, availability, and serviceability (RAS) features, such as hot swap CPU/memory boards using Dynamic Reconfiguration, hot swap power supplies, disks and fans and has alarms and Lights Out Management. All systems have redundant (2N) power supplies with independent power cords. The Sun Fire E2900 server incorporates "smart fans," which speed up if necessary to improve cooling when higher temperatures are experienced.

The Lights Out Management (LOM) module provides remote monitoring and administration capabilities independent of the Solaris Operating Environment. Higher system availability may be achieved by clustering two or more Sun Fire E2900 servers. With the emphasis on availability and reliability, the Sun Fire E2900 server is a prudent choice for many mission critical applications.



## Product Family Placement

The goals of the Sun Fire E2900 Server team were to build a server that:

- offers exceptional price/performance
- is highly scalable
- is rack optimized
- incorporates the latest generation UltraSPARC processors, the Sun™ Fireplane interconnect architecture and the Solaris 8, 9, and 10 operating environment technology.

The following chart provides a comparison of the family of Sun Fire midrange data center servers.

	<i>Sun Fire E2900</i>	<i>Sun Fire™ E4900</i>	<i>Sun Fire™ E6900</i>
Product Positioning	Low cost data center server	Mission critical, data center server	Mission critical, data center server
Packaging	Rack 21" high (12RU), 22" deep	Rack 32" high 17.5 RU, 28" deep	Datacenter Rack 75" high, 24" wide, 53" deep
Typical Environment	Data Center	Data Center, desk side	Data Center
CPUs	4, 8 or 12	4, 8 or 12	4, 8, 12, 16, 20 or 24
Memory	192 GB	192 GB	384 GB
System Bus	9.6 GB/sec	9.6 GB redundant	9.6 GB redundant
I/O bandwidth	1.5 GB/sec	3 GB/sec.	6 GB/sec.
Internal Storage	292GB	None	None
Removable Media	DVD, optional DAT72 tape	None	None
PCI slots: @100 MHz @33 MHz	6 short PCI-X slots 6	16 PCI-X 12 4	32 PCI-X 24 8
Domains	1	2	4
Integrated Network	10/100 and two Gbit Ethernet	None	None
Input Power (110/240 VAC)	3300W @ 220V	3920W @220Vmax.	8040W @ 220V max.
RAS Features	Hot swap CPU boards, power supplies, fans, and disks.  Redundant power supplies & Fireplane switches.  Smart fans. Fault indicators front and back. Lights Out Management.	Hot swap CPU boards, power supplies, fans, and I/O boards.  Full H/W redundancy: power, fans, Fireplane switches, & system controllers.  Self diagnostics, service indicators on all FRUs	Hot swap CPU boards, power supplies, fans, and I/O boards.  Full H/W redundancy: power, fans, Fireplane switches, & system controllers.  Self diagnostics, service indicators on all FRUs





	<b>Sun Fire E2900</b>	<b>Sun Fire™ E4900</b>	<b>Sun Fire™ E6900</b>
Rack Density	24 processors (48 threads) per rack	12 processors (24 threads) per rack	24 processors (48 threads) per rack
Uniboard support	No, but common with Sun Fire V1280 server	Yes	Yes
Mixed speed CPU support	Yes with previously released US III, IV, and IV+ boards	Yes with previously released 900MHz or later US III, IV, and IV+ boards	Yes with previously released 900MHz or later US III, IV, and IV+ boards
Backwards upgradability	Yes to Sun Fire V1280	Yes to Sun Fire E4900	Yes to Sun Fire E6900
Warranty	Duration: 1 year Phone support: M-F, 8AM-5PM Hardware response time: next business day On-site hours of coverage: M-F, 8AM-5PM Delivery method: repair on-site Call-back response: 8 hours Software installation and media support: 90 days	Duration: 1 year Phone support: 7 x 24 x 365(including holidays) Hardware response time: 4 hour average On-site hours of coverage:7 x 24 x 365 (including holidays) Delivery method: repair on-site Call-back response: Customer Defined Priority Replacement of defective media or missing documentation	Duration: 1 year Phone support: 7 x 24 x 365(including holidays) Hardware response time: 4 hour average On-site hours of coverage:7 x 24 x 365 (including holidays) Delivery method: repair on-site Call-back response: Customer Defined Priority Replacement of defective media or missing documentation
Minimum OS Level with UltraSPARC IV+	Solaris 9 9/05 Solaris 10 3/05 HW1	Solaris 9 9/05 Solaris 10 3/05 HW1	Solaris 9 9/05 Solaris 10 3/05 HW1
Minimum Firmware	5.19 or later 5.20.1 for 1.8GHz USIV+ 5.20.3 for 1.95GHz USIV+	5.19 or later 5.20.1 for 1.8GHz USIV+ 5.20.3 for 1.95GHz USIV+	5.19 or later 5.20.1 for 1.8GHz USIV+ 5.20.3 for 1.95GHz USIV+

\* Solaris 8 not supported with UltraSPARC IV+



## Comparison Sun Fire E4900 & E6900 vs. Sun Fire E2900

The previous chart details many of the physical aspects which differentiate the Sun Fire E2900 server from the Sun Fire E4900 and E6900. The following chart focuses on market segmentation relative to the management and operations staff.

<b>Criteria</b>	<b>Sun Fire E4900 and E6900</b>	<b>Sun Fire E2900</b>
Focus	Highest performance and RAS, mission critical data center applications	Highest price/performance, rack optimized, tier 2 & 3 data center applications
Scope	Enterprise-wide	Enterprise-wide
Hardware Availability	99.9 - 99.99% - depending upon configuration, i.e. domains and clustering	Typically 99.9%+, depending on configuration, clustering, etc.
Storage	Centralized	Integrated boot disks, DVD and optionally tape; connection to external arrays
Backup	Centralized via network	Centralized
Connectivity	Broad range of connectivity options; Hot swap or non-hot-swap PCI; large number of IO ports. User choice of SCSI or FC-AL attachment via optional PCI cards	Smaller, focused IO capability; integrated Ultra3 SCSI; smaller number of PCI slots; no hot swap for PCI
Price Consideration	Priority 2 or 3 after performance and availability	High priority with performance, rack density, and availability
Response time expected	Critical, Service Level Agreements (SLAs), Domains guarantee dedicated resources to particular applications	Either lower expectation of response time or achievement of critical SLAs via clustering
Management	Centralized	Centralized
Upgrades/security	Planned activity	Planned activity
Performance	Highest performance with <ul style="list-style-type: none"> <li>• fast processors</li> <li>• large L3 cache</li> <li>• large memory</li> <li>• <math>\geq 2X</math> IO bandwidth</li> </ul>	Excellent performance with <ul style="list-style-type: none"> <li>• fast processors</li> <li>• large L3 cache</li> <li>• large memory</li> <li>• IO bandwidth 1.5GB/sec</li> <li>• two GbE network ports</li> </ul>



## Key Messages

### High-performance UltraSPARC IV+ Processors

- Over 5X the performance in the same footprint as the Sun Fire V1280.
- Over 2X the performance over previous UltraSPARC IV systems.
- All existing Sun Fire V1280 & E2900 servers can run 1.5GHz UltraSPARC IV+ CPU boards with no hardware upgrades. New power supplies are required for all existing Sun Fire V1280 and E2900 servers to run the 1.95/1.8GHz UltraSPARC IV+.
- Supports mixing different speed CPU boards in same system for enhanced investment protection
- Binary compatibility with previous SPARC processors, thereby providing ease of migration for existing applications
- First dual-core processor at 90 nm design rules!
  - 4X increase in transistors
  - No increase in die size or power requirements
- 2nd generation design speeds pipeline
  - New 32MB Level 3 external cache
  - 2MB high-speed on chip Level 2 cache

### Scalability and Performance

- Offers 4, 8 or 12-way multiprocessing system based upon boards containing four processors and memory
- 9.6 GB/sec., Sun Fireplane Interconnect (system bus)
- Large and multiple concurrent data accesses from memory, i.e. 512 data bits per access, ECC protected
- Integrated SCSI disk subsystem with capacity for two 146 GB 15K rpm disks and one external SCSI port
- Large memory capacity allowing high performance through data-in-memory applications

### Integrated Controllers

- Integrated Ultra320 SCSI LVD disk controller, two Gbit Ethernet ports, 10/100 Ethernet (dedicated to LOM), DVD and serial port
- Saves PCI slots for user -selectable controllers
- Cost effective, familiar to those migrating/expanding from the PC environment

### I/O Subsystem

- 2.4 GB/sec. throughput architectural capability; >1.9GB/sec implementation in latest version (PCI-X) of the product



- Integrated controllers and user selectable PCI cards distributed across four independent PCI buses to minimize contention among controllers and maximize processing capabilities
- PCI based controllers provide industry standard, economical I/O adapters

## Operating Environment

- Rack-optimized
- Designed to integrate with external arrays, SAN or NAS
- Compact size
- Many features for higher levels of availability and ease of management, hot swap power supplies, disks and PCI slots, smart fans and Lights Out Management (LOM)

## Key Features and Benefits

### Features

- UltraSPARC IV+ processors
- Up to 192 GB memory
- Integrated Ultra3 SCSI storage subsystem
- Integrated two 10/100/1000 Mbit Ethernet (copper), SCSI disk controller and serial ports
- Multipathing to storage and networks, optional
- Sun Fireplane Interconnect operating at 9.6 GB/sec.

### Benefits

- Over 5X the application performance over UltraSPARC III Sun Fire V1280 and over 2X the performance over UltraSPARC IV Sun Fire E2900 with full binary compatibility for applications running on existing Sun systems.
- High throughput and low response times may be achieved by keeping data in memory.
- Provides capacity for boot disk (which could be mirrored with software) and extended with external disk arrays.
- Reduces the cost of the most commonly required I/O interfaces and optimizes the use of PCI slots. Well suited to a high performance network environment.
- Higher availability to data and networks as well as possibly higher bandwidth/throughput. Fewer disruptions for users means more effective processing as well as ability to participate in a data center environment at a lower cost.
- High bandwidth interconnect insures scalability with minimal contention and latency between processing and I/O subsystems



- 6 short PCI slots at 100MHz/66 MHz/33MHz, 64 bit wide (PCI-X)
- Hot swap processor boards, disks, fans and power supplies
- 2N power supplies with single input power cords.
- Lights Out Management (LOM)
- SunCluster support
- Solaris 8, 9, & 10
- Allows users to configure systems according to their needs with additional network and storage adapters. Helps eliminate contention among peripheral controllers thereby maximizing processing capabilities. Ability to add functions such as encryption.
- On-line maintenance and repair enhances system availability
- Enhances system availability by masking an individual failure of a power supply or power source. Enables servicing of power sources while system remains running.
- Monitors and reports system and component status. Allows remote management via network, serial or modem connection. Reduces the overall cost of system management.
- Enhances availability. Facilitates incremental growth with full utilization of previous investments. Facilitates resource sharing.
- Provides full compatibility for binary applications across the UltraSPARC product line. Offers users a most flexible, feature rich, resilient operating system. Excellent availability, particularly compared to PC operating systems.

## Target Users

The Sun Fire E2900 Server was designed as a general purpose rack-optimized server capable of meeting the needs of a wide range of industry applications, users and environments. This four to twelve-way multiprocessor, combined with two gigabit Ethernet ports and 9.6 GB/second interconnect, ensures scalability for compute-intensive applications as well as I/O-demanding applications such as database and Web serving.

## Target Industries

The following table indicates some possible industries and applications that the Sun Fire E2900 can serve, but is not comprehensive.



<b>Target Markets</b>	<b>Applications</b>
<b>Financial Services</b> <ul style="list-style-type: none"> <li>• Insurance</li> <li>• Stock and commodity traders</li> <li>• Banking</li> </ul>	Most data center applications including customer relationship management (CRM), data base, OLAP, portfolio analysis, application server; front and back office applications
<b>Service Providers</b> <ul style="list-style-type: none"> <li>• Internet Service Providers</li> <li>• Network Providers</li> <li>• Portals</li> <li>• Commerce Providers</li> <li>• Application Service Providers</li> </ul>	All aspects of Internet capabilities including access, web hosting, and supporting on-line merchants and service providers, i.e. order processing, scheduling, call center tracking, etc.
<b>Manufacturing</b> <ul style="list-style-type: none"> <li>• Discrete manufacturing</li> <li>• Process manufacturing</li> </ul>	IT, Finance and Accounting, Human Resources, ERP/MRP solutions, Supply Chain management, Engineering, Sales & Marketing, Customer Service, and Electronic Commerce
<b>Telecommunications and Internet Services</b>	Internet HTTP, email, FTP, directory servers, and electronic commerce and message switching
<b>Retail</b>	Back office (data center) electronic retail systems, merchandising systems, inventory management, distribution, and electronic commerce, CRM
<b>Healthcare</b> <ul style="list-style-type: none"> <li>• Hospitals and Clinics</li> <li>• HMOs and Managed Care Providers</li> <li>• Medical equipment OEMs</li> </ul>	Patient records, billing, claims processing, medical imaging systems, picture archival, and communications systems
<b>Education</b>	Registration and student records, financial aid administration, academic research, repositories for data from research
<b>Scientific/Research/Analysis (Compute Farms)</b> <ul style="list-style-type: none"> <li>• EDA</li> <li>• MCAD</li> </ul>	High performance applications, MCAD, EDA, CFD (computational fluid dynamics), simulation and modeling, statistical analysis, scientific research, departmental repositories; grid computing

## Target Applications

<b>Applications</b>	<b>Key Features to Highlight</b>
<b>Database or Digital Media Management</b>	<ul style="list-style-type: none"> <li>• Storage capacity (multiple 1 TB external with SANs)</li> <li>• Outstanding storage performance with Ultra3 SCSI</li> <li>• Exceptional network connectivity and I/O bandwidth</li> </ul>
<b>Transaction Processing (TP)</b>	<ul style="list-style-type: none"> <li>• Balanced computational and I/O capacity</li> <li>• Storage I/O and Network I/O performance</li> <li>• Robust development environment</li> <li>• Scalable operating system</li> </ul>



<b>Applications</b>	<b>Key Features to Highlight</b>
<b>E-mail</b> <b>Web Mail Services</b> <b>Internet Gateway</b>	<ul style="list-style-type: none"> <li>• Connectivity with heterogeneous systems and networks</li> <li>• Exceptional scalable multithread performance</li> <li>• Exceptional total system throughput</li> </ul>
<b>Decision Support</b> <ul style="list-style-type: none"> <li>• Online analytical processing</li> </ul>	<ul style="list-style-type: none"> <li>• Scalable computing power</li> <li>• Storage capacity and storage I/O performance</li> </ul>
<b>Groupware, Collaboration</b> <ul style="list-style-type: none"> <li>• Lotus™ Notes</li> </ul>	<ul style="list-style-type: none"> <li>• Enterprise networking and PC interoperability</li> <li>• Supports hundreds of UNIX® or PC clients</li> </ul>
<b>Internet</b> <ul style="list-style-type: none"> <li>• Internet Providers</li> <li>• Application Service Providers</li> </ul>	<ul style="list-style-type: none"> <li>• Secure, reliable and cost effective</li> <li>• Sun Fire E2900 server works extremely well in a rack optimized environment, typical of Service Providers</li> <li>• Two gigabit Ethernet connections provides high network bandwidth</li> <li>• Sun is a leading Internet provider</li> </ul>
<b>Interoperability</b>	<ul style="list-style-type: none"> <li>• PC Netlink</li> </ul>
<b>Compute Intensive</b> <ul style="list-style-type: none"> <li>• ECAD</li> <li>• CFD</li> <li>• Simulations</li> <li>• Grid Computing</li> </ul>	<ul style="list-style-type: none"> <li>• Large memory with low access latency</li> <li>• High system bandwidth</li> <li>• Scalability from 4 to 12 processors</li> <li>• Multiple processors efficiently manage independent streams for faster job completion</li> </ul>

## Competitive Information

### Competitive Positioning

Elevator Pitch: New Sun Fire V490 - E25K servers with UltraSPARC IV+ 1.95 GHz processors offer world record performance, easy application portability, industry leading investment protection, and all the assurances of running your data center on reliable, time-proven systems.

Key differentiators:

1. Investment protection: easy, online, low cost upgrades through 3 generations of processors with numerous speedbumps (and the roadmap has not ended)
2. Industry leading hot-swap capability and dynamic reconfiguration of CPUs, memory, I/O, power, and cooling, designed for 24x7 compute environments
3. Highly scalable, virtualization/consolidation capability through the combination of Dynamic System Domains, Solaris Containers, and Predictive Self Healing
4. Solaris 10 binary compatibility guarantee ensures seamless application migration to new and/or upgraded products

Ideal for:

Virtualization/Consolidation, CRM, Business Intelligence/Data Warehousing, and enterprise applications utilizing large databases.

Benefits / Tradeoffs:



### **Benefits**

World's most upgradeable servers: lower costs by upgrading online to the latest hardware and software technology. No costly box swaps and OS recompiles required.

Time-proven, reliable technology and world record performance: over 75 world records set through three generations of processors, with 2 more announcing this month. 2X the life of comparable IBM servers.

Ideal platforms for virtualization environments using a combination of fault isolated hard partitions and flexible Solaris Containers. Solaris 10 Containers can consolidate and virtualize thousands of applications on a single system so customers see savings in energy, space and a huge reduction of complexity that server and application sprawl have created in today's data centers. Solaris Container management is superior to HP and IBM partitioning strategies as it requires less overhead, yet provides resource flexibility down to a single processor.

### **Tradeoffs**

No price or price/performance leadership.

Processor speed behind the competition (inferior floating point values across the board).

Fewest I/O slots among competitors.

High reliability, but also comparatively high environmental footprint in terms of power and cooling requirements.

### Price positioning:

List prices for average configurations:

2x2.1GHz/16GB V490 = \$63274.35

4x4.1GHz/16GB V890 = \$93784.35

4x1.95GHz/32GB E2900 = \$153895.00

8x1.95GHz/32GB E4900 = \$499295.00

8x1.95GHz/64GB E6900 = \$607395.00

16x1.95GHz/128GB E20K = \$1281090.00

32x1.95GHz/256GB E25K = \$2454490.00

<b>Competitive Positioning</b>	
<b>HP competitive offerings</b>	
Integrity rx4640-8	Sun offers superior virtualization with up to 18 domains and more than 8000 Solaris Containers at a granularity of 1 processor compared to HP's maximum of 16 hard partitions or 64 vpars. Additionally, Sun requires only one OS license per system irrespective of how many domains are being used, making Sun's virtualization much more cost effective for the customer.
Integrity rx7620-16	
Integrity rx7640	
Integrity rx8620-32	
Integrity rx8640	HP's Integrity Superdome systems, on the other hand, are significantly faster on both per core and per system perspective. HP has achieved World Record benchmarks with these systems recently, surpassing IBM p5 on system level performance. Additionally, HP's virtualization strategy does permit multiple OS implementations ranging from HP-UX and Linux to Windows and OpenVMS.
Integrity SD 16	
Integrity SD 32	
Integrity SD 64	





## Competitive Positioning

**HP sales tactics:** HP leads with the fact that their Itanium based systems are significantly better in price/performance with Oracle DB, relative to Sun Fire V490-E25K. Oracle pricing for Itanium is set using a 0.5 per core factor (the same multiplier which currently applies to Intel's and AMD's x86 processors), as opposed to a 0.75 factor used for UltraSPARC IV+ processors, thus costs of running Oracle are much lower.

Don't let HP focus the discussion on Oracle pricing. Instead force them to talk about the choices customers will face when migrating to Itanium. Linux and Windows on HP. Itanium servers are not source code compatible with x86, plus HP-UX is not supported on x86. All applications must be re-compiled, re-coded and developed for Itanium.

### IBM competitive offerings

eServer p5 550	Sun offers superior virtualization with up to 18 domains and more than 8000 Solaris Containers at a granularity of 1 processor compared to IBM's LPAR/mPAR approach because only domains can provide complete fault isolation. That feature, coupled with DR provides true 7/24 compute capabilities eliminating the need to take the system down for repairs.
eServer p5 550Q	
eServer p5 560Q	
eServer p5 570	
eServer p5 590	
eServer p5 595	
	IBM's Power 5+ systems, on the other hand, are significantly faster on a per core basis which is a disadvantage particularly in database environments that charge users based on the number of processors used. While Sun is maintaining performance parity at the system level, twice as many processors are needed in a Sun system to achieve the same level of performance as the comparable IBM system .

**IBM sales tactics:** A common IBM sales tactic is to stress the 2:1 advantage of IBM systems vs. Sun Fire USIV+ on a per core basis, bolstering that claim with IBM's World Record TPC benchmark results to prove the point. IBM often complements the performance story with FUD by claiming that Sun is abandoning SPARC, and is turning all of its SPARC development over to Fujitsu.

Address this FUD by describing Sun's commitment to the SPARC roadmap through its CMT strategy, Sun remains, and plans to remain, committed to SPARC and to Solaris. We are not scaling back our investments in R&D for SPARC, and we are very excited about our SPARC product roadmap. Our strategy is very simple; we intend to provide the best UNIX server price performance in the industry, regardless of processor architecture implementation, and our roadmap is designed to keep Sun competitive for many years to come.



# Chapter 2: Selling Highlights

---

## Market Value Proposition

- UltraSPARC IV+ more than doubles the compute performance of previous UltraSPARC IV based systems.
- The Sun Fire E2900 Server is the market leader in rackability, with shallow depth, industry leading density, cable arms, in-rack servicing, front-to-back cooling and status lights front and back.
- The hot swap CPU/memory boards improve availability by allowing on-line expansion, upgrades, and servicing.
- Support for Capacity On Demand (COD) enabling single-CPU increments to maximize system utilization and minimize hardware, software, and service costs by using & paying for only the exact number of processors required.
- The two integrated gigabit Ethernet ports provide the high speed connection required by today's networks.
- The two internal disks provide boot capability (optionally extended to software mirroring) and work well in the growing SAN / NAS / disk array environment.
- Small physical size allows two Sun Fire E2900 server to be deployed in two or four post racks from 24" (600mm) deep and up.
- The Sun Fireplane interconnect helps insure scalability and minimal latency for applications and workloads across the range of 4 to 12-way multiprocessing systems.
- The integrated I/O controllers provide the most commonly used interfaces at low cost without consuming valuable PCI slots.
- The integrated boot disks and DVD and optional tape drive avoid the need for an external media tray.
- Hot swappable components such as processor boards, disks, power supplies and fans help maximize system availability by allowing maintenance and upgrades to occur during normal operations.
- Smart fans speed up to compensate for unusually high temperatures or for degradation in the performance of any one fan. In combination with alarms, this minimizes the prospect that high temperatures or fan failure will cause unscheduled system down time.
- Lights Out Management (LOM) offers sophisticated CLI (command line interface), diagnosis and console access via network/Ethernet, serial port or modem connections. LOM facilitates remote and/or centralized management of systems, thereby encouraging faster and more convenient response.
- There are redundant power supplies and independent power cords. The system has four power supplies, any two of which are sufficient to run a fully configured system. This allows for failure of any two power supplies *or* of any one power source (of two) and the system will continue to run.

## Applications

Please refer to the Section entitled *Target Industries* above and the associated chart.



## Compatibility

The Sun Fire E2900 server runs the Solaris 8, Solaris 9, and Solaris 10 Operating Systems for which thousands of applications are available. (Note: Solaris 8 is NOT supported with UltraSPARC IV+ processors).

Compatibility with the Solaris Operating System brings with it the ability to run any existing Solaris application developed for the SPARC 32-bit or 64-bit processor architecture. The same application programming interfaces (APIs) and the same application binary interface (ABI) in previous versions of Solaris Operating Systems exist in Solaris 8-10 Operating Systems running on the Sun Fire E2900 server. Customers can also take advantage of the Solaris Application Guarantee program to enable a smooth migration from previous versions of Solaris or earlier versions of the SPARC processor architecture. See Chapter 5 later in this document for details.

The Sun Fire E2900 server is fully compatible with existing Sun servers and may coexist in networks and/or within a Sun Cluster. See Chapter 8 later in this document for supported Sun PCI adapters, storage, and other options.



# Chapter 3: Enabling Technology

---

## UltraSPARC® IV+ Multithreaded Processors



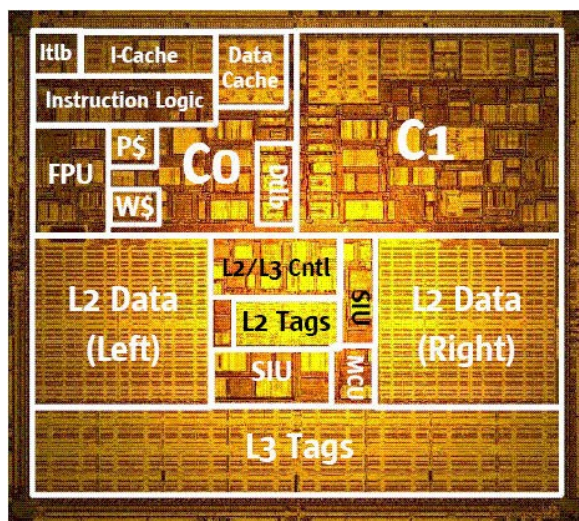


Figure 1. UltraSPARC IV+ die photo

## Technology Overview—Chip Multithreading

At the heart of the Sun Fire family of enterprise servers is the new UltraSPARC IV+ processor, which incorporates significant design improvements that have been built with Texas Instruments' 90 nm chip technology. The result is that the UltraSPARC IV+ processors can deliver over 2X the performance of previous UltraSPARC IV processors in the same footprint. Furthermore, compared to the original UltraSPARC III processors, the new UltraSPARC IV+ processors can deliver over 5X the performance in the same footprint, and in most cases, is upgradeable in the same chassis. Like its predecessors, the UltraSPARC IV+ processor boards are backwards compatible with previous Sun Fire enterprise servers and can be mixed in the same system or domain with UltraSPARC III and/or UltraSPARC IV processor boards, each of which will operate at rated speeds. The result is unparalleled investment protection and maximum performance.

## The UltraSPARC IV+ Processor

Each UltraSPARC IV+ processor consists of two UltraSPARC III cores (pipelines), each complete with its associated Level 1 cache. One part of the pipe handles instruction fetch and branch prediction, the right part of the pipe handles instruction execution and result retirement. The dual-core architecture supports two simultaneous threads per processor, which greatly enhances the peak throughput. The two parts of the pipe are decoupled by a 16-entry instruction queue. Data comes out of a 64 KB Level 1 data cache. Floating-point data can also come from a small 2-KB prefetch cache used to stream data. Stores are decoupled by an 8-entry store queue, and use a 2-KB fully-associative write cache to exploit spatial and temporal locality in the store stream, greatly reducing write-through traffic to the Level 2 cache.



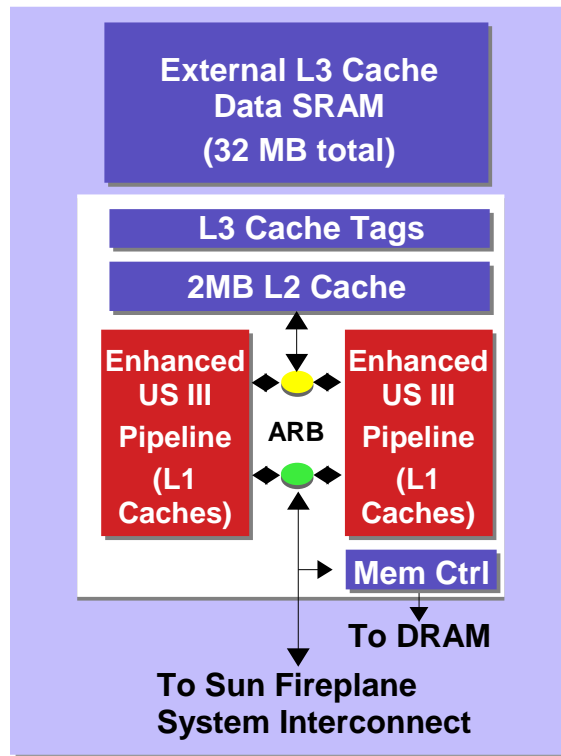


Figure 3. UltraSPARC IV+ processor architecture

### UltraSPARC IV+ Enhancements

Operating at 1.95 GHz or 1.8 GHz, the UltraSPARC IV+ offers over 2 times the throughput of the 1.05-GHz UltraSPARC IV processor. More than just a speed bump to the UltraSPARC IV processor, the UltraSPARC IV+ contains numerous enhancements that improve both performance and reliability. Some of the more significant technology differences are listed in the table below:

Feature	UltraSPARC IV+	UltraSPARC IV
Clock Speed	1.95 or 1.8 GHz	1.2 GHz
Memory size support	32 GB per processor	16 GB per processor
Processor Technology	90 nm, 9LM Cu CMOS	130 nm, 8LM Cu CMOS
Number of Transistors	295 M	66 M
Die Size	336 mm <sup>2</sup>	356 mm <sup>2</sup>
Caches		
• Prefetch buffer	• 8-line	• 1-line
• L1 cache	• 64/64 KB I/D	• 64/32 KB I/D
• L2 cache	• 2 MB (on-chip, split/shared)	• 16 MB (off-chip, split only)
• L3 cache	• 32 MB (tags on, data off)	• None
• L2/L3:	• 4-way set associative	• 2-way set associative



The UltraSPARC IV+ process comes with numerous enhancements from the UltraSPARC IV design (see Figure 4 for a diagram). Enhancements designed to **improve performance** are:

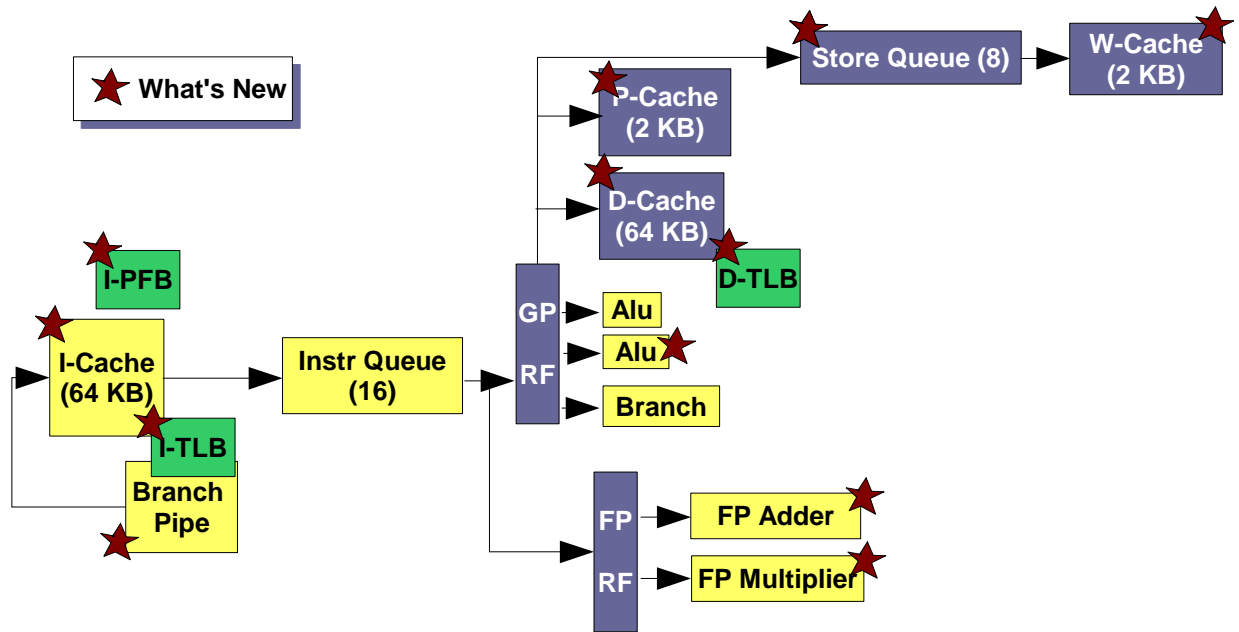
- The instruction pre-fetch buffer (I-PFB) was expanded from 1 line to 8 lines and programmable stride was added.
- The size of the instruction cache (I-Cache) was doubled (now 64 KB).
- The instruction translation lookup buffer (I-TLB) was expanded to have four times the entries (now 512 entries). Support for both 8- and 64-KB pages is now also provided.
- A new 32-entry branch target buffer (BTB) was added to the branch pipe, as was improved prediction.
- Support for strong prefetch and improved the latency of the P-cache was added.
- New page sizes (32MB and 256 MB) and added new scratchpad registers were added to the D-TBL.
- A hardware-based version of the pop count (POPC) instruction was added to the arithmetic logic unit (ALU)..
- Functionality was added to the FP Adder and FP Multiplier to handle integer-FP conversion and non-standard arithmetic mode with subnormal results.
- Made the write cache (W-cache) fully associative, and added FIFO allocation and optimized eviction.

Enhanced **hardware-based error detection** was added to a number of components to improve the reliability of the processor:

- I-cache
- D-cache
- P-cache
- I-TLB
- D-TLB

Despite these numerous enhancements, the UltraSPARC IV+ still maintains binary code compatibility with other SPARC-based processors, thereby providing significant software and training investment protection to Sun's customers. Customers can take advantage of newer technology without incurring huge costs. In addition, a UltraSPARC IV+ processor board can co-exist within the same server or domain as an UltraSPARC III and UltraSPARC IV processor board.





**Figure 4: UltraSPARC IV+ enhancements  
(enhanced components are starred)**

## The UltraSPARC IV+ Cache Hierarchy

The UltraSPARC IV+ processor's cache hierarchy is one of its most important features. The cache hierarchy has three levels. Each core in UltraSPARC IV+ has its own private on-chip Level 1 cache. Each processor has an on-chip Level 2 cache and an external Level 3 cache that are shared by both cores.

Each Level 1 cache (one in each core) consist of an instruction cache (I-cache), a data cache (D-cache), a write cache (W-cache), and a prefetch cache (P-cache).

- The I-cache is a 64-KB, 4-way set-associative cache with a 64-byte line size. Each I-cache line is divided into two 32 byte subblocks with separate valid bits. The D-cache is a 64 KB, 4-way set-associative cache with 32 byte line size.
- The W-cache is a 2-KB, fully associative cache with a 64-byte line size.
- The P-cache is a 2-KB, 4-way set-associative cache with a 64-byte line size. Each cache line in the P-cache is divided into two 32-byte subblocks with separate valid bits.

All Level 1 caches except the P-cache are included in the Level 2 cache.

The UltraSPARC IV+ processor's on-chip Level 2 cache is shared by the two cores. The Level 2 cache is a 2-MB, 4-way set-associative cache with 64-byte lines. The Level 2 cache can sustain one request every 2 CPU cycles.

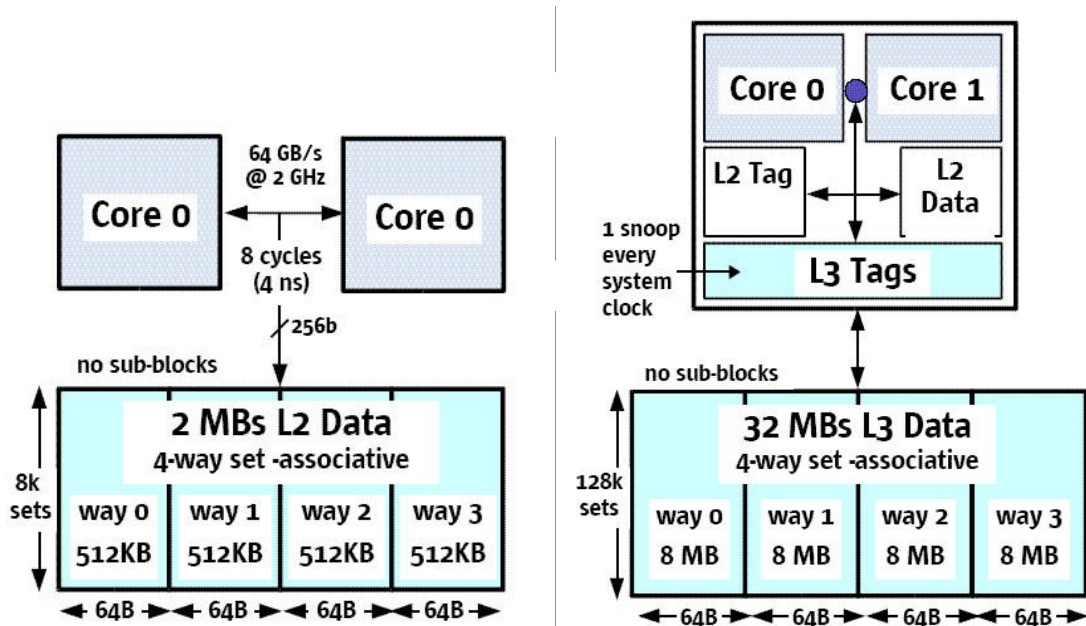
The UltraSPARC IV+ also has a large Level 3 cache that is shared by the two cores. The Level 3 cache has on-chip tags and off-chip data. The Level 3 cache is 32 MB with 64 byte lines and is a 4-way set associative cache.





The Level 3 cache is what is called a “dirty victim” cache. When a line comes into the chip, the line is loaded in the Level 2 and Level 1 caches. When a line is evicted from the Level 2 cache it is written to the Level 3 cache (both clean and dirty lines are treated the same). Lines evicted from the Level 3 cache are written back to the system if they are dirty. Either the Level 2 or Level 3 cache can be the source of data for cache-to-cache transactions. The Level 2 cache and Level 3 cache are mutually exclusive. Any content in the Level 2 cache is not in the Level-3 cache.

**Figure 5. UltraSPARC IV+ Level 2 (left) and Level 3 (right) cache structures**

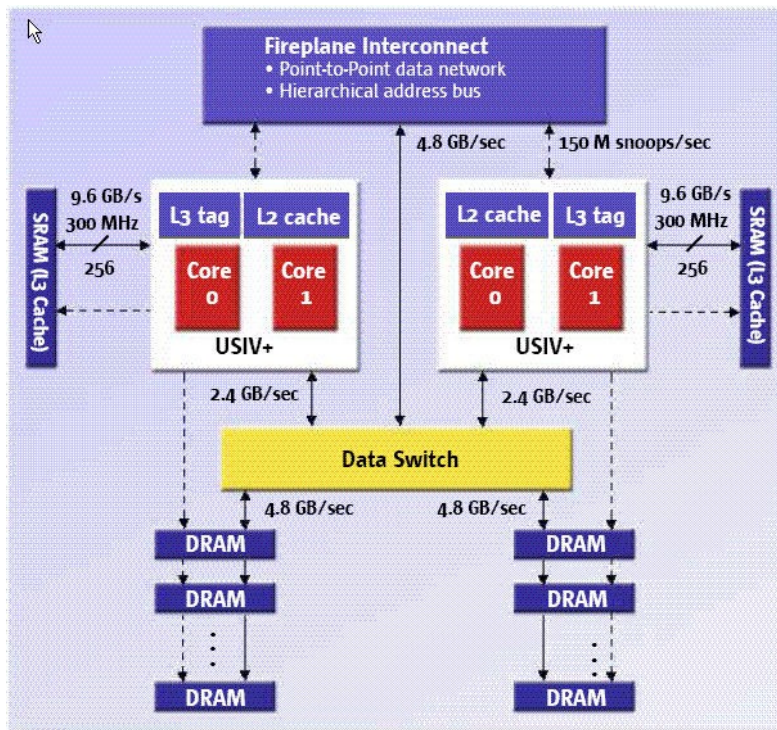


## System Interface

Figure 7 illustrates how an UltraSPARC IV+ processor fits into a Sun Fireplane interconnect-based system. Memory address and control signals go directly from the on-chip memory controller to DRAM. However, all data traffic—both to and from memory and from the Sun Fireplane point-to-point interconnect fabric—is routed through a dual-processor data switch. This high-performance switch can handle up to 19.2 GB a second of aggregate data from two processor chips, the Sun Fireplane interconnect, and memory. In addition, each processor has a separate 8 GB/second interface to its Level 2 cache data. Each processor also has a separate address bus to the Sun Fireplane interconnect, able to support up to 150 million coherency transactions a second. Like the UltraSPARC III processor, the UltraSPARC IV & IV+ processor directly supports snoop cache coherency, directory-based cache coherency, or a hybrid of the two.

In addition to the Level 2 cache interface, the shared system resources on the processor chip include the memory controller and the interface to the Sun Fireplane system interconnect. The on-chip memory controller provides up to 16 GB of DRAM per processor, shared between the two cores. From the





**Figure 7. UltraSPARC IV+ system interface**

standpoint of the Sun Fireplane bus, the two cores appear as a single client. Each core has its own unique interrupt ID, allowing it to be managed individually.

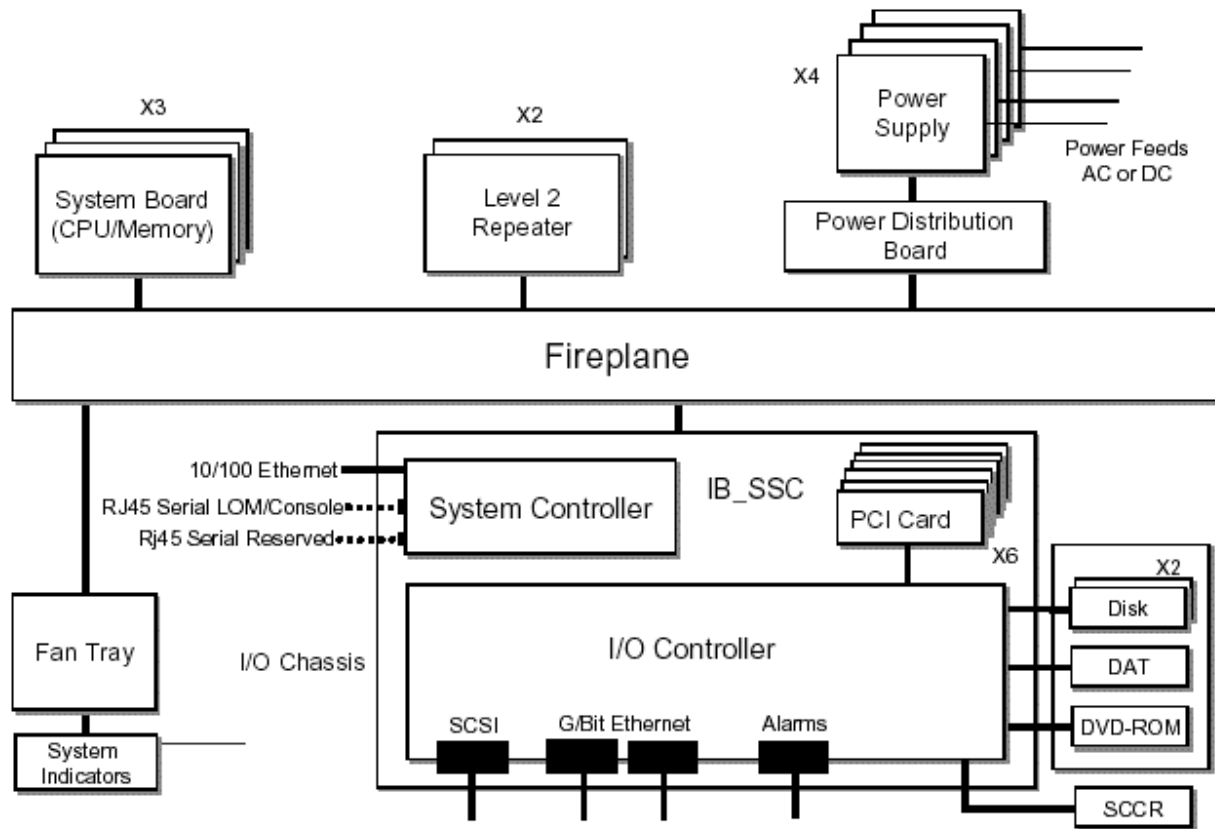
## Chip Technology

The UltraSPARC IV+ processor is the first commercialized dual core processor manufactured to 90nm design rules by Texas Instruments. It has 4X the number of transistors as the previous UltraSPARC IV processors, which enables the significant changes to the cache architecture and frequency improvements with no increase in power or cooling requirements. Frequencies for the UltraSPARC IV+ processors are 1.5GHz, 1.8GHz, and 1.95GHz.



# Chapter 4: System Architecture

Figure 4-1: Sun Fire E2900 system architecture

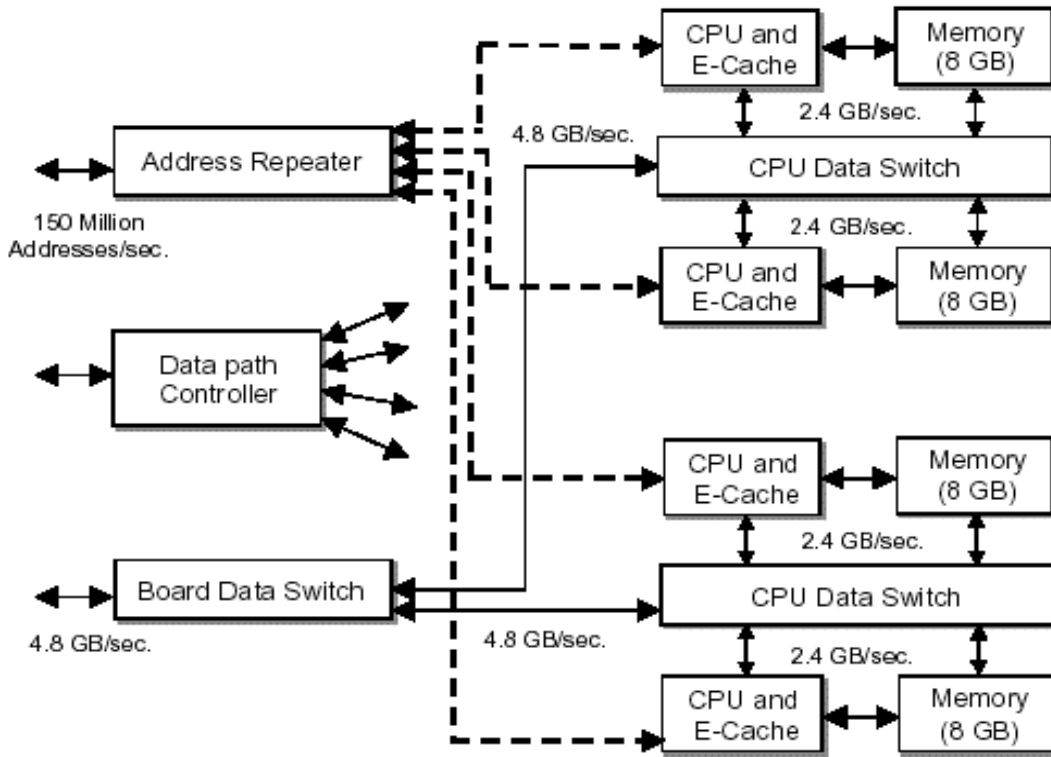


## CPU/Memory Boards

The Sun Fire E2900 server can accommodate up to twelve UltraSPARC IV+ processors populated on three CPU/memory boards. Each board includes four processors, all cache, and main memory. While all of the processors on a single CPU/memory board must be the same speed, other CPU/memory boards within the system may use processors clocked at a different speed. This mixed-speed CPU support results in better investment protection when upgrading by precluding the need to replace all of the existing processors in a system. The block diagram of the CPU/memory board used in the Sun Fire E2900 servers is shown below. Address and control paths are illustrated with dashed lines, and data paths with solid lines. The interconnect components on the left connect to the Sun Fireplane interconnect switch boards. The bandwidths shown are the peak at each point on the board.



**Figure 4-2: CPU/memory board block diagram**

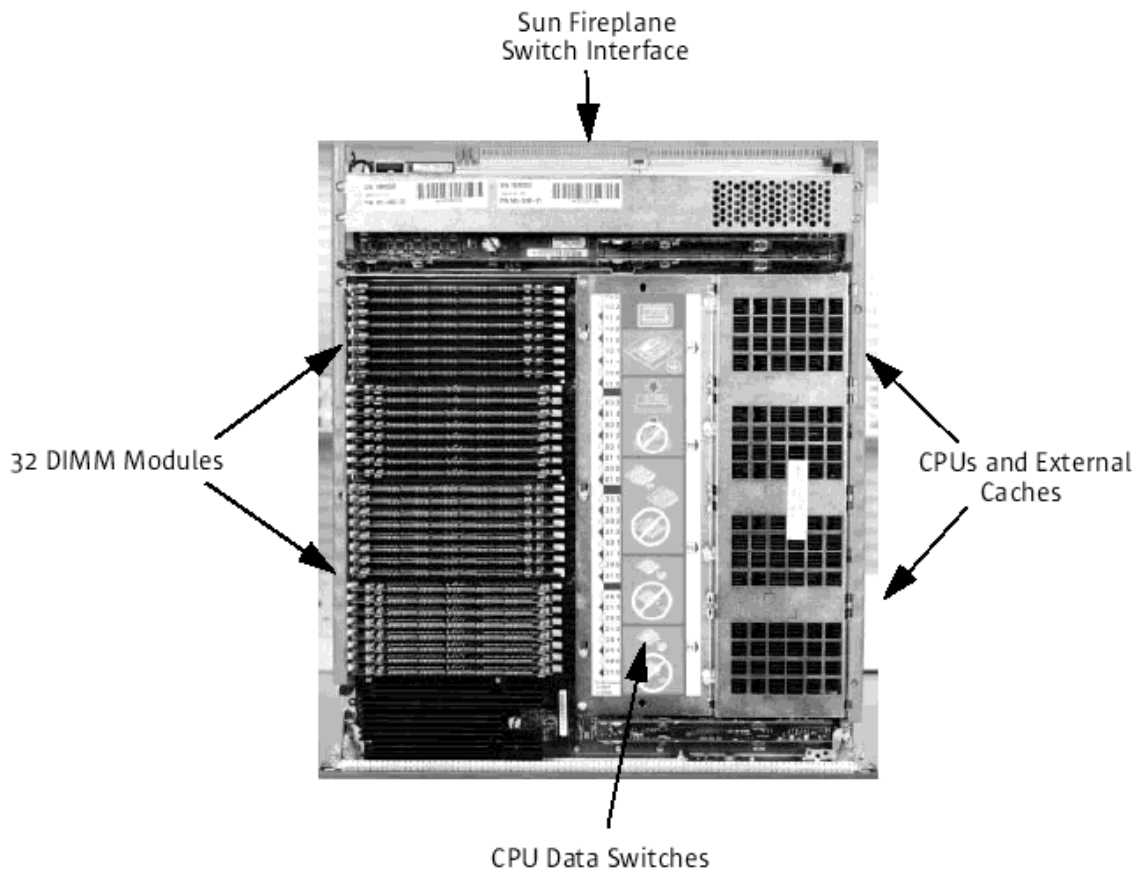


## Memory

Memory is distributed across the processor boards with each processor controlling a portion of the total memory. In order to minimize latency, the memory controller is integrated into the processor chip. Latency to non-local memory is substantially less than that incurred by more traditional approaches that utilize a single, external memory controller for all accesses. SDRAM DIMMs (Dual In-line Memory Modules) are used. There are 32 DIMM sockets per CPU/memory board, divided into four groups of eight DIMMs each. Three sizes of DIMM modules are available: 512 MB, 1 GB & 2GB, yielding 16GB, 32GB and 64GB board options for a maximum of 192 GB in a twelve-processor system. To increase memory system performance, the design employs a wide, dual 576-bit memory architecture. DIMMs must be added to the system in groups of four. Each group must use the same size DIMMs, although different sized groups may be used. Because the memory controller circuitry is required to access memory, and is embedded in the CPU, there must be a processor in the processor slot associated with each memory bank. Memory interleaving is a function of the number of DIMMs and their capacity relative to other memory groups on the quad-CPU/memory board. Interleaving is implemented on a 64-byte boundary to coincide with the width of the memory data bus. If successive accesses alternate between two distinct logical groups, the sustainable bandwidth is 1.6 GB/second. When the access pattern involves four logical groups, the sustainable bandwidth is 2.4 GB/second. The memory subsystem is capable of supporting up to four GB per memory group, allowing a total capacity of 32 GB with a four-way interleaving system.



**Figure 4-3: Fully configured CPU/memory board (32 GB memory and four CPUs)**



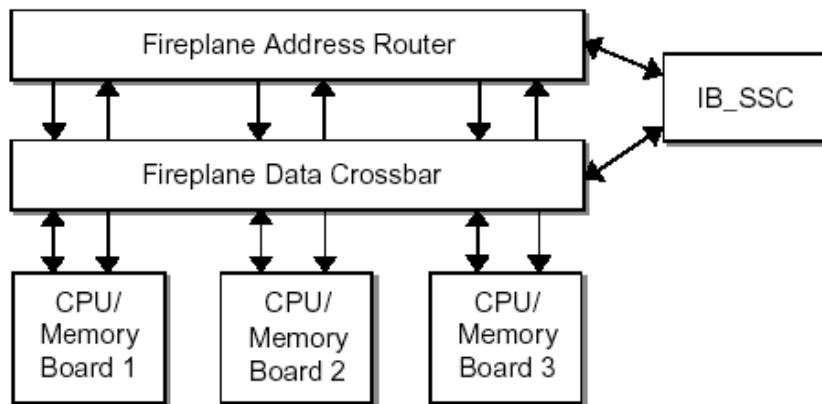
## Sun Fireplane Interconnect (System Bus)

Along with the rest of the Sun Fire E2900-E25K family, the Sun Fire E2900 is based on the Sun Fireplane interconnect. The Sun Fireplane interconnect has two interconnects, one for address transactions, and the other for moving data. Data is moved only when responding to an address transaction request. The peak system bandwidth of 9.6 GB/second is determined by the system address bandwidth of 150 million addresses per second times the cache line width of 64 bytes.

The address repeater ASIC on each CPU/memory board and the IB\_SSC collects address requests from the processors or IB\_SSC. These board-level address repeaters send address transactions to the address repeater on a Sun Fireplane interconnect switch board. The interconnect is a tree-structure of point-to-point connections. Multiple parity bits are used to detect errors on the address interconnect.



**Figure 4-4: Sun Fireplane Interconnect**



A new address can be sent to all the of the processors and the IB\_SSC every system clock. All system units see each address at the same time, and reply whether or not they have the requested item in local caches. Each processor also has an embedded SDRAM controller, which controls accesses to its local SDRAM memory.

The address and command structure of Sun Fireplane interconnect is based on a five-port crossbar switch. The address and command lines are extended through two levels of repeaters that preserve the bus model. The Sun Fireplane interconnect is a 288-bit bus implemented inside a set of four identical ASICs. This approach couples a wide data path with a high clock frequency of 150 MHz. The connection between devices (UltraSPARC processors and a custom I/O bridge) and the crossbar ASICs use a point-to-point model that allows the best possible clocking rate for chip-to-chip communication. The crossbar ASICs also provide a switch between the internal data bus and the processor.

With the bus model of the Sun Fireplane interconnect, the need for a centralized arbitration is eliminated, and control is distributed among all attached devices. The arbitration for the address and control lines is performed simultaneously by all devices, with the added benefit of reducing latency.

### Cache Coherency

To maintain the high level of performance demanded by today's applications, Sun Fire systems use external cache located on the processor module. Data that has been recently used, or for which impending use is anticipated, is retrieved and kept in cache memory closer to the processor that will need it. In a multi-processor, shared-memory system, the task of keeping all of the different caches within the system consistent requires assistance from the system interconnect.

The Sun Fireplane interconnect implements cache coherency through a technique known as snooping. With this approach, each cache monitors the addresses of all transactions on the system interconnect, watching for transactions that update addresses it possesses. Since all processors need to see the broadcasted addresses on the system interconnect, the address and command signals arrive simultaneously. The address and command lines are connected in a point-to-point fashion.



## I/O Subsystem Architecture

The I/O subsystem of the Sun Fire E2900 servers resides on an IB\_SSC module and interfaces to the system bus via two PCI bus controller chips. The IB\_SSC Module houses the majority of the I/O facilities, as well as the Standby System Controller board.

As of August 15th, 2006, the Sun Fire E2900 server supports three different PCI assemblies: the "original PCI assembly", the "PCI+ Assembly (PCI+ IB-SSC)", and the newer "PCI-X Assembly" which are both available as x-option upgrade for existing Sun Fire V1280 and E2900 servers.

### The original PCI assembly:

- (6) PCI slots via three buses.
- (1) 3.3V, 32/64-bit, 66MHz slot.
- (5) 5V, 32/64-bit, 33MHz slots.
- All (6) slots are short slots and cannot support long PCI cards.
- Has integrated Ultra160 SCSI controller for the internal disks and external SCSI port.

### PCI+ Assembly (PCI+ IB-SSC):

- (6) PCI slots via three 66MHz buses.
- (6) 3.3V, 32/64-bit, 66MHz slots.
- All (6) slots are short slots and cannot support long PCI cards.
- All previously qualified 3.3V PCI adapters are supported on the new PCI+ I/O assembly.
- Legacy 5V signaling PCI adapters are not supported on the new PCI+ I/O assembly.
- Has integrated Ultra320 SCSI controller for the internal disks and external SCSI port.
- A V1280 with original PCI assembly can be upgrade to the newer PCI+ assembly by ordering the x-option X2765A PCI+ IB-SSC.
- Minimum system firmware of 5.19.3 required for the new PCI+ I/O assembly.
- Minimum operating system of Solaris 8 (2/04 + KU), Solaris 9 (9/05 or later), or Solaris 10 (3/05 or later) required for the PCI+ I/O assembly.

Note the change in slot operating speed and hardware path when compared to the previous PCI assembly below.

### New PCI-X Assembly:

- Six short PCI-X slots (64-bit 100MHz, 3.3V)
- Integrated Ultra-320 SCSI controller for the internal disk and external SCSI port.



- Two gigabit Ethernet ports
- All (6) slots are short slots and cannot support long PCI cards.
- All previously qualified 3.3V PCI adapters are supported on the new PCI-X I/O assembly.
- Legacy 5V signaling PCI adapters are not supported on the new PCI-X I/O assembly.
- A V1280 and E2900 with original PCI assembly or PCI+ assembly can be upgrade to the newer PCI-X assembly by ordering the x-option X2766A PCI-X I/O assembly.
- Minimum system firmware of 5.20.1 required for the new PCI-X I/O assembly.
- Minimum operating system of Solaris 8 (2/04 + patches), Solaris 9 (9/05 plus patches or later), or Solaris 10 (3/05 or later) required for the new PCI-X I/O assembly.

Note the change in slot operating speed and hardware path when compared to the previous PCI assembly below.

### PCI I/O slots

<i>Physical Slot</i>	<i>Card size</i>	<i>PCI controller, bus</i>	<i>Operating speed, voltage</i>
<b>0</b>	short	0, b	33 MHz, 5V
<b>1</b>	short	0, b	33 MHz, 5V
<b>2</b>	short	1, b	33 MHz, 5V
<b>3</b>	short	1, b	33 MHz, 5V
<b>4</b>	short	1, b	33 MHz, 5V
<b>5</b>	short	0, a	66 or 33 MHz, 3.3V

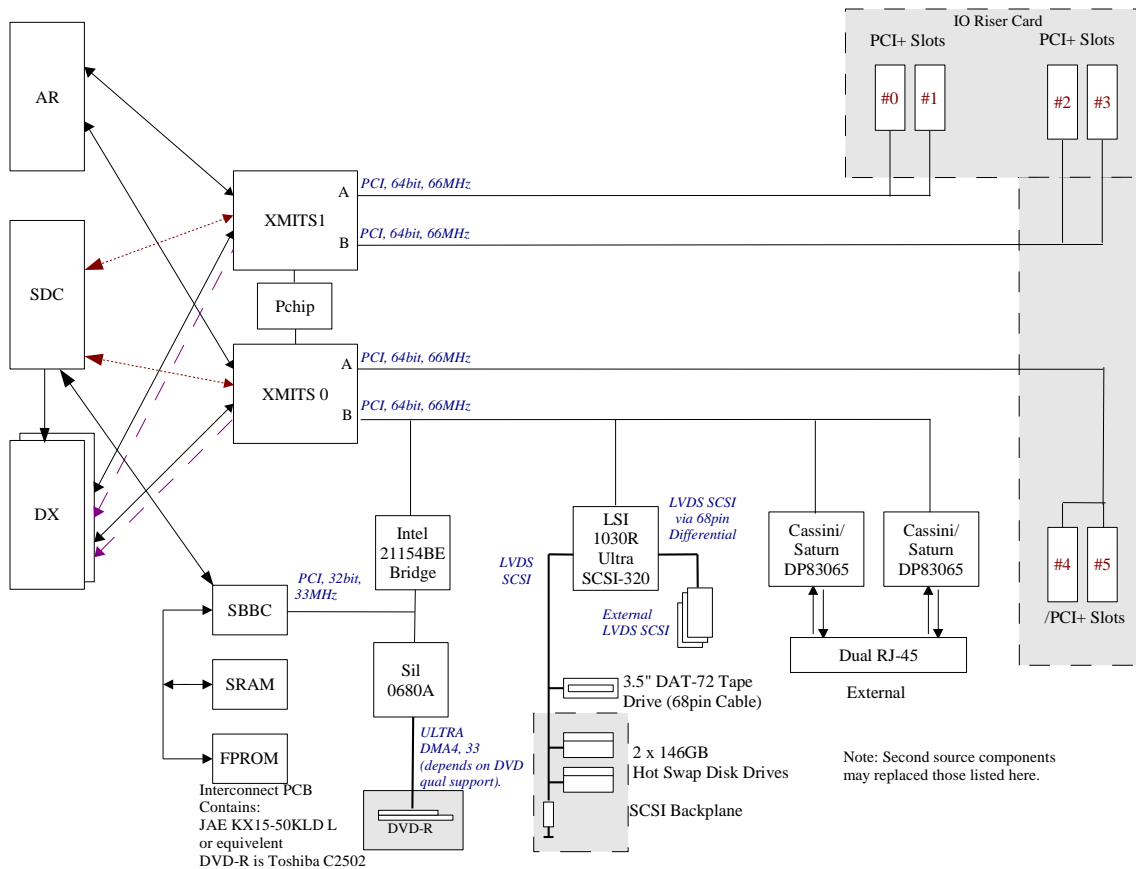
### PCI+ I/O slots

<i>Physical Slot</i>	<i>Card size</i>	<i>PCI+ controller, bus</i>	<i>Operating speed, voltage</i>
<b>0</b>	short	1, a	66 or 33 MHz, 3.3V
<b>1</b>	short	1, a	66 or 33 MHz, 3.3V
<b>2</b>	short	1, b	66 or 33 MHz, 3.3V
<b>3</b>	short	1, b	66 or 33 MHz, 3.3V
<b>4</b>	short	0, a	66 or 33 MHz, 3.3V
<b>5</b>	short	0, b	66 or 33 MHz, 3.3V

To help enable sustained high performance, the bus controller chips each control two independent PCI buses, each a 66 MHz, 64-bit PCI bus, for a total of four 66MHz PCI buses. Three buses support six 66MHz short (7-inch) slots. One 66 MHz bus is reserved for the gigabit Ethernet controllers and the Ultra320 SCSI controller. 33 MHz cards that are capable of 3.3 V operation may also be used in the 66MHz slots, but will cause that bus segment and any PCI card in that segment to also operate at 33 MHz. 33 MHz cards with 5V signaling are NOT supported on the new "PCI+" IB-SSC. Despite the fact that all slots are 64-bit capable, 32-bit cards can be used as well without forcing the entire bus to operate in 32-bit mode.







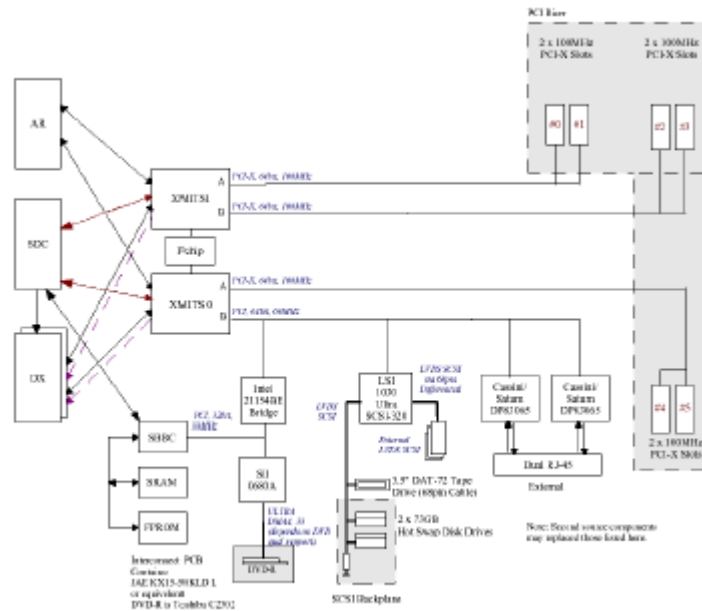
The six slots are allocated 90 watts of power. Any card can use up to 25 watts as long as the sum of all usage is 90 W or less.

### PCI-X I/O slots

Physical Slot	Card size	PCI+ controller, bus	Operating speed, voltage
0	short	1, a	100, 66 or 33 MHz, 3.3V
1	short	1, a	100, 66 or 33 MHz, 3.3V
2	short	1, b	100, 66 or 33 MHz, 3.3V
3	short	1, b	100, 66 or 33 MHz, 3.3V
4	short	0, a	100, 66 or 33 MHz, 3.3V
5	short	0, b	100, 66 or 33 MHz, 3.3V



The following diagram shows the block diagram of the new PCI-X I/O assembly.



## Standby System Controller

Following the tradition of leveraging high-end server features across product lines, these servers include the same Standby System Controller (SSC) technology as the Sun Fire E4900 and E6900. However, it has different functionality tailored to the capabilities of these servers. The SSC is an embedded controller for system and resource management that is a key component for high availability. It contains a MicroSPARC II processor used to implement Lights Out Management functionality. The SSC allows access to LOM through one of the RJ45 serial ports or through a Telnet service on the 10/100 Ethernet port. It constantly monitors server operation and is able to notify administrators when problems are detected. It enables administrators to remotely initiate diagnostics and corrective actions without requiring physical proximity to the server. The SSC is responsible for hardware configuration and reconfiguration during booting and during dynamic reconfiguration procedures, and also plays a critical role in error detection, logging, identification, and reporting.

Key functions of the Standby System Controller are:

- Provides system clock, console interface, and power on/off operation
- Controls power to selected circuit boards
- Monitors and reports environmental conditions
- Monitors and controls status of failed and failing components



- Manages information collected from EEPROM on selected components
- Integrates with Sun Management Center software to provide remote management

The Sun Fire E2900 server ships standard with the enhanced memory (version 2) IB-SSC, that has additional memory capacity compared to the system controller currently shipping on the Sun Fire V1280 server. The enhancement will enable the servers to take advantage of future system management function updates, such as persistent error logging.

## SSH (Secure Shell)

System firmware version 5.18 enables implementation of a secure communication channel for network based administration of the system controllers. The SC offers SSH server functionality, and the SSH server responds to SSHv2 (SSH protocol version 2) client requests. SSH will allow encrypted, secure remote access to the midrange system controller (SC). Note that this feature is only supported on the enhanced memory system controller in the Sun Fire E2900. Existing Sun Fire V1280 customers would need to upgrade their SC to the newer version.

## PCI Connectivity

The PCI bus is based on the industry-standard PCI specification version 2.1. Unlike most standards, the PCI specification is very broad. It covers everything from multiple form factors and voltages to connector types. Sun's implementation on the new PCI-X supports:

- 32-bit or 64-bit cards
- 3.3 volt cards (33, 66 and 100 MHz bus)
- 7-inch (short) cards
- PCI Specification 2.1 compliance
- Low power operation

These servers support a variety of PCI-based adaptor cards, including Ethernet & ATM networking cards, SCSI, FC-AL, and high speed serial interfaces. In addition, Sun has developed a host of third-party alliances to develop PCI hardware and software that is certified for operation on all systems running the Solaris Operating Environment.

## Peripherals, Networking, and Back Panel

In addition to PCI connectivity, these servers support a standard complement of I/O devices through connectors on the back panel, as well as enclosure status LEDs:

- Dual 10/100/1000 BaseT Ethernet (RJ45) network connectors
- Ultra320 SCSI connector & Alarms port (DB-15)
- Serial-port (RJ45) for LOM/console
- Enclosure status LEDs, including system locator beacon, system fault, and system active



## Ethernet Support

To support higher performance network connectivity, all Sun Fire E2900 server models support dual 10/100/1000 Mbps Ethernet interfaces through RJ-45 copper connectors. Gigabit (1000 Mbps) Ethernet is typically deployed as a backbone interconnect between 10/100 Mbps Ethernet switches, and as a connection to high-performance servers. Gigabit Ethernet is an ideal way to connect multiple workgroups accessing information stored on high-end servers or for server-to-server back-ups. Gigabit Ethernet also provides a natural upgrade path for systems that require more bandwidth than can be provided by fast Ethernet.

## Serial Port

A 9600-baud serial port, accessible through an RJ45 connector, provides a convenient way to connect a system to a terminal. Supplied adapters enable administrators to use a standard RJ-45 serial cable to connect directly from the serial connector on the back panel to any device that is equipped with a DB-25 or DB-9 connector.

## Ultra320 SCSI Storage Controller

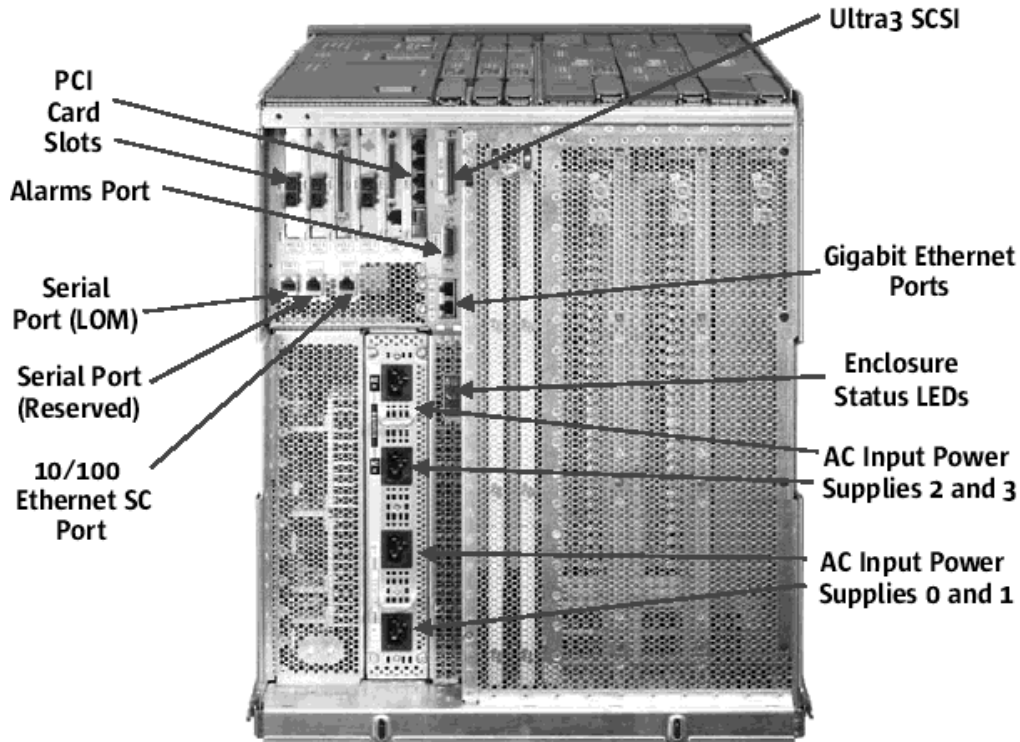
The Sun Fire E2900 server provides an internal storage subsystem with an integrated Ultra320 SCSI Storage Controller capable of supporting a maximum of 15 SCSI devices, of which two 146GB disks are provided as standard internally. The SCSI controller also has an external LVD SCSI interface on the rear of the system, to which external SCSI arrays may be connected. Dual pathing to external arrays may be achieved by adding SCSI PCI adapters.

Ultra320 SCSI has the following characteristics:

- Industry standard. Ultra320 SCSI is the latest version of the SCSI protocol.
- Broadly supported. All major disk vendors support Ultra320 SCSI, thereby ensuring wide choice and interoperability.
- Performance. Ultra320 SCSI runs at burst speeds of up to 320 MB/sec.
- Capacity. Ultra320 SCSI supports up to 16 devices (including the controller).



**Figure 4-5: System connectivity**



## **Power Distribution System**

The required power is provided by four power supplies each providing 1,500 watts output. The power supplies are located on the right hand side of the front of the system cabinet. Only two PSUs are required at any one time, providing 2N redundancy. As a result, the failure of up to two PSUs or of one of the two power sources do not interrupt internal power.

The Sun Fire E2900 requires 200-240V power. It will not work with 110V.

## **Fans**

The two fans that cool the PCI enclosure are redundant; if one fan fails, the remaining one will provide sufficient cooling until the faulty fan is repaired.

Although the fans on the power supplies are not redundant, the power supplies themselves are, so a fan failure on a PSU does not interrupt system power. The power supply itself indicates a fault.

The Sun Fire E2900 does not have redundant fans for cooling the main system boards. Given the tight space constraints in the chassis there is no room for redundant fans to cool these boards. To minimize the impact of failure of one of these fans, intelligence has been built in to the cooling system.



All fan rotation is monitored and faults indicated when rotation speed begins to drop – typically towards end of life. The main fans run in two modes; 1) externally controlled 'off' or 'maximum speed' ; or 2) an internally controlled speed to match the ambient temperature at the fan location. Normally the main fans are run on internal control to reduce noise and extend life.

Whenever the system is running, the temperature of key components is monitored. Should any component or board temperature reach a warning limit, the main fans will be set to maximum to increase cooling. This may occur, for example, if there is something locally blocking a portion of the air inlet. If there is a failure of the data center or central office air conditioning system and the ambient temperature starts to rise then the main fans will increase speed automatically to compensate. However as soon as a warning limit is reached, all fans will be set to maximum speed.

Furthermore, it is rare for a cooling fan to have a sudden complete failure. More common is for a component--such as the lubrication for a bearing--to start to wear, causing the fan to gradually slow down. When this is detected, the failing fan will issue an alert. When they receive this alert, operations staff can place a call for an engineer to replace the failing fan. When a fan failure alert is detected, all the other fans will be set to maximum speed to increase air flow and compensate the failing fan.

## **System Configuration Card**

The Sun Fire E2900 contains a System Configuration Card (SCC). This card retains the server's MAC address, hostid, and NVRAM settings that identifies the server to the network and to software for licensing purposes. Should a Sun Fire E2900 need to be replaced by another Sun Fire E2900, changing the SCC will make the new system appear to have the same identity as the one it replaces.

## **Lights Out Management (LOM)**

With the LOM module, the Sun Fire E2900 server can be configured to allow administrators to monitor the system board, fan power/rpm, and temperature via a dedicated LOM serial port, combined console/LOM serial port, or alarm software that can be tied into SNMP. The LOM module also has a remote power on/off cycle.

## **Environmental Monitoring and Control (EM&C) System**

The environmental monitoring and control (EM&C) system helps protect the system against:

- Extreme temperatures
- Lack of adequate air flow
- Power supply problems

Monitoring and control capabilities reside at the operating system level as well as within the system's PROM firmware. Consequently, protection is assured even if the system is halted or unable to boot.

The EM&C system uses an industry standard I2C bus to monitor and control temperature sensors, fans, power supplies, status LEDs and the front panel on/standby switch. Temperature sensors monitor ambient temperature throughout the system as well as that of each CPU.



The hardware and software components of the EM&C system help ensure that the temperature remains within a predetermined range for safe operation. Failure to remain within that range will result in either:

- A 'warning' or 'critical' condition with the appropriate error message to the system console, if present,
- An entry in the system log file if the CPU is blacklisted (but not is shut down)
- The illumination of the system LED indicators on the front status panel.

A critical condition that cannot be resolved by blacklisting a CPU will be followed by a graceful shutdown of the system.

The EM&C system will also detect a failure of the cooling fans.

## Rack mounting

The Sun Fire E2900 server is intended to operate within a rack in a data center. The server is 12 rack units (RU) high. Within a standard 72" high rack, the Sun Fire E2900 servers may be mounted two in a rack, occupying the lowest positions in the rack, and no higher than 52" high for the top surface of the upper system. Each server weighs up to 251 lb. (114kg) or up to 263 lb. (120kg) including the transport plinth which is removed during installation. To facilitate rack mounting, a lifting tool is required to mount the Sun Fire E2900 within a rack or to remove it from a rack.

When a single Sun Fire E2900 server is mounted within a rack, it should occupy the lowest position for weight considerations. The remainder of the rack may be used for storage arrays, other systems, etc. with an air flow from front to rear as with the Sun Fire E2900 server.

The Sun Fire E2900 is attached to the rack on slider rails, which allow in-rack servicing.

A stabilizer/extender foot is provided on many industry standard racks. Prior to installation or servicing, the extender should be positioned forward to prevent the entire rack from tilting forward as the center of gravity changes. Then the slides may be extended forward from the rack and the processor boards, PCI cards or other boards added, changed or removed. If the rack does not have an extender foot, the rack must be stabilized in some other fashion to ensure safety during installation or servicing (e.g. Bolted to the floor)

Third party racks that comply with EIA-310-D-1992 Standard and are 24" (600mm cm.) or deeper may be used. However, sufficient space for cable management must be allowed. In addition, the presence of doors and whether or not they are solid may lead to a requirement for a deeper rack to allow for airflow at the front and/or back of the rack.

**NOTE:** Carefully evaluate all aspects and dimensions of the intended rack including:

- Rail-to-rail depth: this must be 450mm to 780mm between mounting rails
- Space for cable management
- Protrusions mounted on doors, etc. which might interfere with systems and/or cables
- Compatibility for front-to-back air flow requirements
- Stabilizer/extender foot for servicing considerations



- Sufficient space in the aisle to allow the Sun Fire E2900 to be extended on its rails and for service personnel space to move around it

*No third-party rack products have been tested and, consequently, are neither endorsed nor recommended.*





# Chapter 5: Reliability, Availability, and Serviceability

---

Reliability, availability, and serviceability (RAS) are three aspects of a system's design that contribute to continuous operation and the reduction of system downtime.

The Sun Fire E2900 server brings together the finest aspects of “High Availability” engineering, extending the feature set offered by the current UltraSPARC III Sun Fire line.

## Reliability

Reliability refers to a system's ability to operate continuously without failures and to maintain data integrity. The Sun Fire E2900 server includes the following features that enhance reliability, many of which are detailed in Chapter 3, Enabling Technology

- Extensive environmental monitoring, which helps ensure that the system is not allowed to operate outside its specifications.
- End-to-end ECC error detection and correction on all data paths within the system to detect and correct single-bit errors. This feature maintains data integrity without the need to halt system operation in the case of single-bit errors. ECC will also detect double bit errors and log them to the System Controller.
- Enhanced ECC to protect against naturally occurring radiation. Up to four hard failures on adjacent bits from naturally occurring radiation can be corrected. (see the 'System Architecture' section for details).
- Parity detection on all address path segments for improved data integrity. This is in addition to ECC on all data paths.
- Memory scrubbing to enable the memory contents to be frequently refreshed. This feature reduces the chance of single-bit errors.
- Extensive component and interconnect Power On Systems Test (POST) and other tests performed prior to system boot to help ensure that faulty components are excluded from the system configuration.
- Passive centerplane helps provide high mean time between failures (MTBF). Because the centerplane is passive--that is, it contains no chips on board--it is less likely to fail.
- Boards are locked in place and I/O connectors are secure, which prevents system errors due to loose connections. Boards also have different form factors, minimizing the chance of inserting the wrong board in a centerplane slot.

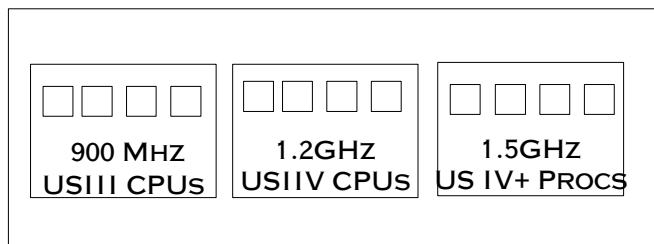
## Availability

System availability refers to the percentage of time that a system remains accessible and usable. Sun Fire E2900 server offers many advanced availability features.



- **Hardware Redundancy**
  - Redundant CPUs
  - memory banks
  - CPU/memory boards
  - Sun Fireplane interconnect system switches
  - Power supplies (2N) for dual power grids
- **Hot swap CPU/memory boards with Dynamic Reconfiguration technology**
- **Hot swappable power supplies, disks, and fans**
- **Mixed-speed CPUs**
  - By separating the clock signals and device arbitration on this family of servers, the clock signals for CPUs within the system are generated by multiplying the 150 MHz signal from the system controller on a board-by-board basis. The benefit to the customer is that they have the flexibility to add processors of different speeds online as long as they do not mix processors of differing speeds within one system board.
  - All UltraSPARC IV+, IV, and III processor/memory boards can be mixed together on the same system.
  - The diagram below illustrates how processors of different speeds can be intermixed and deployed on a Sun Fire E2900 server.

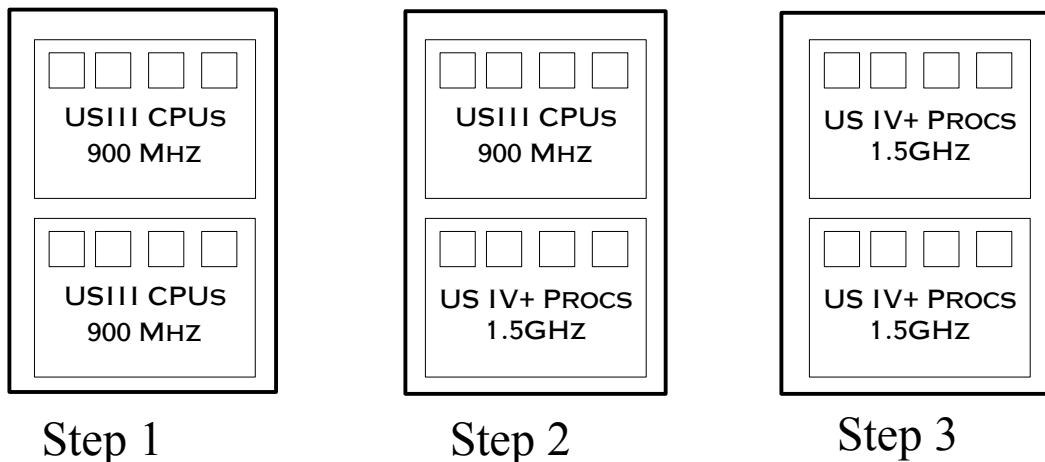
**Sun Fire E2900 server**



- The diagram below illustrates the three-step upgrade process to upgrade all CPUs on two CPU/memory boards. During this online upgrade process, the application remains available.



## Hot CPU Upgrade



- IP multi-pathing to provide automatic network path failover
- When two I/O paths can be defined to connect a network to a Sun Fire server through the presence of two I/O adapter cards, the IP multi-pathing (IPMP) feature of the Solaris 8 OE can be employed to map out a dual-path network connection with automatic network failover capability.
- The automatic network failover capability helps ensure that in the event of a failure of a single I/O card, the server will be able to continue communicating over the network.
- Parallel device probing
- In the event of a system reboot, if your configuration is composed of more than one CPU, then the CPUs are used to probe for devices concurrently, significantly reducing the time it takes for the operating environment to identify and configure attached devices. This feature helps to shorten down time.

## Serviceability

Serviceability relates to the time it takes to restore a system to service following a system failure. Some of the serviceability features of the Sun Fire E2900 server include:

- Hot swappable CPU/memory boards, disks, fans, & power, which provide for on-line replacement
- LED status indicators, repeated front and back
- Lights Out Management (LOM) for monitoring and administrative capability
- Dynamic reconfiguration and IP multi-pathing, which allow for CPU/memory boards and I/O assemblies to be taken off-line for service without interruption to the Solaris OS or to the application
- Virtual key switch and virtual console features on the system controller, which allows the system to be powered on or off and rebooted remotely; with optional diagnostics
- Mechanical Serviceability
  - In rack serviceability on sliding rails



- Cable management arm
- No jumpers are required for configuration of the Sun Fire E2900 servers
- All FRUs (Field-Replaceable Units) are designed for quick and easy replacement
- Safe electrical voltages (48 VDC and below) used throughout all system boards
- All FRUs identified with LED service indicators for positive indication of whether a FRU can be removed
- Electronic serial numbers on all FRUs enabling improved component tracking
- Sun™ Validation Test Suite software (SunVTS) allows administrators to perform system diagnostics
- Sun Remote Services provides remote monitoring, diagnostics and service dispatching
- The Serial EEPROM is a part of all system FRUs. It consists of a small amount of read-only memory containing information to identify the FRU. This feature enhances serviceability.

## Auto Diagnosis and Recovery Features

- Auto diagnosis and recovery provides new levels of reliability, availability, and serviceability for the Sun Fire E2900 server to help customers minimize both planned and unplanned downtime and significantly reduce business interruptions through faster time to service.
- Auto diagnosis with messaging: auto diagnosis detects the first instance of an error and records the component health status (CHS) of the faulty or suspect components. Auto diagnosis provides easy-to-understand error reports that identify faulty or suspect components to a single-field replaceable unit (FRU) or multi-FRUs. The server's Power On Self Test (POST) then uses the CHS information to deconfigure the faulty component out of the system. Diagnostic information is reported through the platform and domain console event message or the loghost output.
- Component health status: deconfigures faulty components (CPU/memory boards, CPUs, L2\_SRAM modules, DIMMs, I/O boards, and Fireplane switches) after a hard failure. CHS identifies ("blacklists") faulty components due to a fault or suspected fault. The reconfigured system is automatically rebooted. The fault is isolated from the new configuration, significantly reducing the chances of a similar failure.
- CHS and diagnostic information are persistently stored on a component, which prevents the reoccurrence of a fault even if the component is moved to a different location. Preventing the reoccurrence of a fault improves the availability characteristic of Sun Fire E4900 & E6900 servers. As the diagnosis information is contained inside the component, service and repair of these systems becomes faster and more efficient. Valuable service information is collected and reported to help Sun detect hardware errors and improve product quality.
- Auto restoration: working in conjunction with the auto diagnosis engine and CHS, auto restoration automatically restores the system with the fault isolated in the event of a fatal error as a result of a faulty component. If a FRU or component is disabled because of its CHS, immediate replacement is not necessary because the domain is restored with the fault isolated.
- Automatic recovery of hung domains: system detects and recovers from hung domains. A domain hang occurs when a domain does not respond to user commands or is not reachable via the network.
- Recovery from repeated domain panics: domain panics can be caused by both software and hardware. To prevent hardware faults from causing panic reboot loops, the SC firmware has been enhanced to run POST diagnostics at more detailed diagnostic levels. On the first panic the domain



reboots and writes a core file. The core file can be used to analyze the problem. However, if further panics occur within a short time period, it is desirable to run POST automatically at a higher level as part of domain restoration. POST diagnostics verify the status of the hardware and could identify and isolate faulty components (if any). After identifying faulty components, POST updates their CHS appropriately.

- Solaris OS Enhancements: kernel Updates for Solaris 8 OE (02/04) and Solaris 9 (04/04) OE on systems enhance the correctable error (CE) DIMM and L2\_SRAM module handling. Multiple CEs on accessing a DIMM or L2\_SRAM module indicate a higher probability of experiencing an uncollectible error (UE). To prevent a fatal UE, memory pages are retired and CPUs are automatically off-lined. The availability of domain increases, because the Solaris OS does not access pages or L2\_SRAM modules that have an increased failure probability.



# Chapter 6: Installation Data

For more details on any of the data in this section, please see the *Sun Fire E2900 Site Preparation and Installation Guide*.

## Dimensions

### Hardware Dimensions

	<i>U.S.</i>	<i>Metric</i>
<b>Height</b>	20.75" 12 RU	527 mm 12 RU
<b>Width</b>	17.5"	445 mm
<b>Depth</b>	22"	558 mm
<b>Weight (minimum/maximum)</b>	242/290lbs.	110/132 kg.

## Environment

### Power Requirements

#### Overall System

	<i>Sun Fire E2900 Power Consumption (W)</i>
4 processors 16GB memory	1400
8 processors 32GB memory	2150
12 processors 48 GB memory	2900
12 processors 96GB memory	3300

#### Details of Individual Power Supplies

	<i>Sun Fire E2900</i>
<b>Operating</b> <ul style="list-style-type: none"><li>4 power supplies providing 2N hot-pluggable redundancy</li><li>4 supplies maximum</li></ul>	1710 W input; 1500 W output @ <b>200 - 240 V AC</b> per supply. But only two can draw this or otherwise >2 PS share the input power load.
<b>Frequency</b>	47 - 63 Hz



## Notes

- **The Sun Fire E2900 supports 200-240V power only.** It does **not** support 110V. In the USA (and countries that use similar power systems) the power cord used should be the **NEMA6-15** US standard. This is a 250V 15 amp cord. Please note that this is not the 6-30 cord (a 30 amp cord).
- There are four power supplies in a system. Only two are required for the system to run. Hence they are 2N redundant.
- The Sun Fire E2900 system with 1.95GHz processors maximum altitude is 7,000 feet (reduced from 10,000 feet)
- The Sun Fire E2900 system with 1.95GHz processors requires removal of the front door filter prior to installation

## Temperature

<b>Sun Fire E2900</b>	<b>Fahrenheit</b>	<b>Celsius</b>
<b>Operating</b>	+41° - +95° F	+5° - +40° C
<b>Non-operating</b>	-4° - +140° F	-20° - +60° C

## Noise

In accordance with ISO 9296:

<b>Operating acoustic noise</b>	73 dB(A)
---------------------------------	----------

## BTU/Heat-load Data

	<b>Sun Fire E2900</b>
<b>Base system, including:</b> <ul style="list-style-type: none"> <li>• 4 * 1.5GHz CPUs</li> <li>• 16 GB memory</li> <li>• 2 - 146 GB disk</li> <li>• 6 PCI boards</li> </ul>	4,780 BTU/Hr.
<b>Medium system, including:</b> <ul style="list-style-type: none"> <li>• 8 * 1.5GHz CPUs</li> <li>• 32 GB memory</li> <li>• 2 - 146 GB disk</li> <li>• 6 PCI boards</li> </ul>	7330 BTU/hr
<b>Large system, including:</b> <ul style="list-style-type: none"> <li>• 12 * 1.5GHz CPUs</li> <li>• 48 GB memory</li> <li>• 2 - 146GB disk</li> <li>• 6 PCI boards</li> </ul>	9890 BTU/hr



<b>Loaded system, including:</b> <ul style="list-style-type: none"> <li>• 12 * 1.5GHz CPUs</li> <li>• 96GB memory</li> <li>• 2 - 146GB disks</li> <li>• 6 PCI boards</li> </ul>	11,300 BTU/Hr.
---	----------------

## Humidity (non-condensing)

### Sun Fire E2900

<b>Operating</b>	10% - 80% non-condensing
<b>Non-operating</b>	10% - 80% unpackaged

## Regulatory

Meets or exceeds the following requirements.

<b>Safety</b>	North America: UL 60950 3 <sup>rd</sup> edition, CSA C22.2 No 60950-00 3 <sup>rd</sup> edition (Certified: UL + UL for Canada) European Community: EN 60950:2000, (Certified: UL for Germany/GS-Mark + GOST R for Russia) Worldwide except North America: IEC 60950:1999 + CB Bulletin (Certified: DEMKO + UL for Argentina/IRAM S-Mark)
<b>RFI/EMI</b>	Class A: Australia/New Zealand AS/NZ 3548, Industry Canada ICES-003, European Community EN55022/CISPR22, Japan VCCI, Taiwan CNS 13438, and US FCC 47CFR15.B.
<b>Immunity</b>	EN55024, i.e. EN61000-4-2, EN61000-4-3, EN61000-4-4, EN61000-4-5, EN61000-4-6, EN61000-4-8, and EN61000-4-11





# Chapter 7: The Sun Fire E2900 Server and Racks

---

**This section should be read and discussed with a customer *when a system is proposed and also when planning installation.***

## Overview

From the time the Sun Fire E2900 Server was first conceived, rack fit was a very high priority. Its depth of 22" means it will fit a wider range of racks than any other server in its class. Its 2N redundant power supplies make it less susceptible to downtime caused by power or power supply failure than many other servers. Front and rear indicators, lights out management, sliders, two cable management arms and even the rack buddy are all designed to make it as simple as possible to install, use and maintain in a rack.

However, it is also different from other servers and this chapter has been written to describe the most important considerations when planning for installation of a Sun Fire E2900 Server in a rack.

## Power

The Sun Fire E2900 uses 220V power only: it does not support 110V. Plugging it into a 110V supply may lead to some indicators becoming lit, but the system will not start. Various power cord kits have been specified for different countries around the world. In general, the power cord will be rated for 200-240VAC and 10-15 amps. When you order a Sun Fire E2900, you must order a power cord x-option, depending on the country in which it is to be used. Each x-option contains four power cords corresponding to the four power supplies in the Sun Fire E2900; consequently you require one x-option per system.

In the United States and other countries that have similar power systems, the power cords shipped with the Sun Fire E2900 are the NEMA 6-15 type from the National Electrical Code Handbook. Some other servers or racks in this class use NEMA6-30 power cords, which support 30 amp circuits. These were not used on the Sun Fire E2900 because they are extremely bulky and have excessively high current rating. You should check that the Sun Fire E2900 Server power cords are supported in your customer's environment. (The Sun Fire E4900 also use NEMA6-15 power cords in the United States).

The Sun Fire E2900 does not have to use a power sequencer. It does not require an RTS (Redundant Transfer Switch). In particular, the RTS used in the Sun Fire rack is superfluous and are NOT supported.

## Power Supplies

The Sun Fire E2900 contains four power supplies. It can run using only two of these power supplies; in other words it is "2N redundant." This means that the power supplies can be paired and each pair plugged into a separate power source. As a result, neither of the following events will cause system downtime:



- Failure of one or two of the power supplies in a Sun Fire E2900; or
- Failure of a power source

Failed power supplies can be hot-plugged.

When both power sources and all power supplies are working (the normal situation), the power consumption is shared across the power supplies.

## Racks

The Sun Fire E2900 is 22" (about 550mm) deep. This means that it potentially will fit into 24" (600mm) deep racks. Whether a specific Sun Fire E2900 will fit into a rack of this size depends on many factors including

- whether the rack has doors
- whether the doors are solid or perforated
- the thickness of any doors
- the type and thickness of cables (e.g. FC-AL, Ethernet, SCSI) that attach to the Sun Fire E2900 and their bend radius

Within a standard 72" high rack, the Sun Fire E2900 Servers may be mounted two in a rack, occupying the lowest positions in the rack, and no higher than 52" high for the top surface of the upper system. Each server weigh can weigh up to 251 lb. (114kg) or up to 263 lb. (120kg) including the transport plinth which is removed during installation. To facilitate rack mounting, a lifting tool is required to mount the Sun Fire E2900 within a rack or to remove it from a rack.

When a single Sun Fire E2900 server is mounted within a rack, it should occupy the lowest position for weight considerations. The remainder of the rack may be used for storage arrays, other systems, etc., with front-to-rear air flow like the Sun Fire E2900 server. **See installation manual for precise placement rules.**

## Cable Management Arm

The Sun Fire E2900 is supplied with a cable management arm. Use of this is optional but very highly recommended as it makes it much easier to service in a rack. The cable arm attaches to the rear of the Sun Fire E2900 and has one section for power cables and one for I/O cables.

## Sliders

The Sun Fire E2900 is shipped with a standard set of sliders. The Sun Fire E2900 attaches to these sliders which are themselves attached to the rack as part of the installation procedure. The use of these sliders, together with the cable management arm allows the system to stay up and running during any of the following operations:

- Adding new processor boards to a four-processor or eight-processor Sun Fire E2900 Server
- Removing a failed processor board from an eight-processor or twelve-processor Sun Fire E2900 Server



- Installing a memory upgrade on an eight-processor or twelve-processor Sun Fire E2900 Server

Whenever the Sun Fire E2900 is extended on its sliders, the rack must be stabilized to allow for the weight of the server being outside the frame. This may be achieved, for example, by extending the feet of the rack where this is possible or by having the rack itself bolted to the floor and/or ceiling. Failure to stabilize the rack will result in significant risk of the rack tipping and of injury.

## Recommended Sun Microsystems Rack

The recommended Sun Microsystems rack for the Sun Fire E2900 server is the Sun Rack 900.

- At 900mm deep, it contains plenty of space for the Sun Fire E2900, cable management arm, cables and free air flow.
- The extending leg will support the Sun Fire E2900 Server when it is extended on its sliders.
- Power sequencing within the rack avoids multiple inrush when the source returns.

The Sun Rack 900 has an X-option X6827A which contains 20 power connectors that will connect from the power strips in the Sun Rack 900 to the power inlets on the rear of the Sun Fire E2900 Server.

It is also possible to use the StorEdge expansion rack or the Sun Fire rack, but these are not ideal because they are deeper and contain functions such as RTS, fans and Frame Manager that are costly and not required by the Sun Fire E2900 Server.

## Third-Party Racks

Third-party racks that comply with EIA-310-D-1992 Standard and are 24" (600mm cm.) or deeper may be used. When planning to install the Sun Fire E2900 Server in a third-party rack, the following points should be considered.

- **Depth.** As noted above, the Sun Fire E2900 can potentially fit into a 24"/600mm rack. Often a 32"/800mm rack may be more appropriate, particularly if the rack has doors on the front or back or both. Space needs to be allowed for cables and airflow.
- **Power.** Power requirements are described above. In summary, the Sun Fire E2900 Server may need to draw up to 16amps at 200V. Careful planning is recommended to allow for the 2N power sources and power consumption figures should be re-checked when upgrading.
- **Sliders.** Rail-to-rail depth must be between 450mm and 780mm.
- **Stabilization.** It must be possible to stabilize the rack, either by the use of extensible feet or fixing it to the floor or ceiling, to prevent it from tipping when the Sun Fire E2900 Server is slid out on its rails.

No third-party rack products have been tested and, consequently, are neither endorsed nor recommended.



# Chapter 8: Requirements and Configuration

---

## System Requirements

The Sun Fire E2900 Server with UltraSPARC IV+ processors requires minimum Solaris Operating System9 (9/05) or Solaris 10 (3/05 HW1). Solaris 8 is NOT supported with UltraSPARC IV+ processors. Minimum firmware level is version 5.19 for 1.5GHz UltraSPARC IV+, 5.20.1 for 1.8GHz UltraSPARC IV+, and 5.20.3 for 1.95GHz UltraSPARC IV+ processors.

For systems running UltraSPARC IV processors, the minimum OS level is Solaris 8 (2/04), Solaris 9 (04/04) or Solaris 10 (3/05). Minimum firmware level is version 5.17 for 1.05/1.2GHz and 5.18.1 for 1.35GHz.

It is recommended all patches be applied.

## Licensing/Usage

### Operating System Environment

The Sun Fire E2900 Server is supplied standard with Solaris.

### Upgrades to Solaris 8 from Previous Versions

For customers who are running an earlier version of Solaris platform, the *Solaris Application Guarantee Program* ensures that existing applications will run without modification on Solaris 8 or Solaris 9 OE.

For more details on this program, refer to:

[http://www.sun.com/software/solaris/programs/binary\\_guarantee.xml](http://www.sun.com/software/solaris/programs/binary_guarantee.xml)

## Alarms

The Sun Fire E2900 has an alarms feature primarily for use in telecommunications applications. This is to allow volts-free alarms to be raised for a variety of service fault conditions. There are two user-programmable alarms (Alarm 1 and Alarm 2) and one fixed Solaris OS not running alarm (system). The system indicator is only set and cleared to match the state of the Solaris OS. The user-programmable alarms 1 and 2 are only set and cleared in response to user-initiated function calls.

Each alarm has a visible indicator at the front of the system and a set of relay contacts available at the rear of the system.

Each alarm relay has a common connection, a normally open connection and a normally closed connection. All three alarms use a single 15-way D-Type port.



The indicators for the user and system alarms are different. The system alarm indicator is green and lit whenever the Solaris OS is running. The user alarms are amber and lit whenever the alarm is set to 'on'.

The user-configurable alarms 1 and 2 are set/cleared through the LOM 'setalarm' command or the Solaris 'lom -A' command.

Detection of the state of the Solaris OS is done through the "cpu signatures" mechanism (present on Sun Fire 3800-6800 and E4900/E6900 systems as well as the Sun Fire E2900) which indicates whether the Solaris OS clock is still incrementing. If the clock is incrementing then the system indicator (green) is lit. When the Solaris OS clock is not incrementing, the system indicator is extinguished. This could be due to a Solaris OS hang or crash or a user-initiated request to shutdown to OBP or to standby.

<b>Pin Number</b>	<b>Signal Name</b>	<b>System has no external power</b>	<b>System has external power but is in Standby</b>	<b>Solaris OS running</b>	<b>Alarm1 on</b>	<b>Alarm2 on</b>
1	No Connection					
2	No Connection					
3	No Connection					
4	No Connection					
5	SYSTEM Running Normally Open	link p5-7	link p5-7	open		
6	SYSTEM Running Normally Closed	open	open	link p6-7		
7	SYSTEM Running Common	link p5-7	link p5-7	link p6-7		
8	Alarm1Normally Open	open	open		Link p8-10	
9	Alarm1Normally Closed	Link p9-10	Link p9-10		open	
10	Alarm1Common	Link p9-10	Link p9-10		Link p8-10	
11	Alarm2Normally Open	open	open			Link p11-13
12	Alarm2Normally Closed	Link p12-13	Link p12-13			open
13	Alarm2Common	Link p12-13	Link p12-13			Link p11-13
14	No Connection					
15	No Connection					

**Table A Alarms Connector Pinout**



# Chapter 9: System Management

---

## System Administration

Built into the Solaris are systems management and security features that will help deliver the computing environment demanded by these customers. Sun also offers unbundled system management products that will supplement the systems management features in the Solaris OS. Together, the Solaris management features and Sun unbundled systems management products create one of the most stable and available computing environment, in the industry.

Virtually any administrative task can be executed over a remote connection from any client by an authenticated administrator and since a Solaris OS rarely requires rebooting, administrators will not lose their network connection when adding new software or reconfiguring the system. Solaris OS applications can be installed or upgraded on a Solaris server without affecting users and without disabling the network services running on that computer.

## Lights Out Management (LOM) and System Controller (SC)

The Sun Fire E2900 server features a system controller (SC) running Lights Out Management (LOM) software, enabling access, monitoring, and control of the server from a remote location, using any client device on the network.

The system controller resides in the IB-SSC module. Configured to allow communications with a variety of client devices through an Ethernet 10/100 interface or through a serial line, LOM allows administrators to remotely query the status of the system, diagnose faults and initiate a system power on/off or reboot. It operates independently of the server and is responsible for the following:

- Providing server console functions through a 10/100 Ethernet or serial port
  - allows remote configuration of the server
  - allows remote running of diagnostic tests on system components
  - allows remote power-on, power-off, reset and reboot of the server
  
- Providing remote indications of system status
  - error reporting
  - output from power-on self-test (POST)
  - LED states
  
- Providing remote environmental monitoring
  - device temperatures
  - fan status



## OpenBoot Firmware

The OpenBoot firmware is stored in the boot programmable read-only memory (PROM) of the system. It is executed immediately after the customer turns on the system. The primary task of the OpenBoot firmware is to boot the operating system from either a mass storage device or from a network.

The OpenBoot device tree is a data structure that describes both the permanently installed and plug-in devices attached to a system. Both the user and the operating system can determine the hardware configuration of the system by inspecting the OpenBoot device tree.

## Power On Self Test (POST)

The POST diagnostic code resides in flash PROM on the system's main logic board. It runs whenever the system is turned on or when a system reset command is issued. POST tests the following system components:

- System boards
- Fireplane interconnect boards
- IO controller – includes SCSI, Ethernet and IDE controllers

POST reports its test results on the system front panel. POST also displays detailed diagnostic and error messages on a local terminal if it is attached to the system's serial port A.

## Sun Management Center 3.5 V6

Sun Management Center Software is an open, extensible, standards-based system management solution that facilitates active, enterprise-wide management of Sun system products and their subsystems and components.

The Sun Fire E2900 server employs Sun Management Center Software to provide the graphical user interface (GUI) for managing the system. Although an available command line interface provides full functionality, Sun Management Center 3.5 software is capable of providing the vast majority of such functions through a GUI.

Sun Management Center Software is also the key technology for delivering Sun Remote Services (SRS); therefore, Sun highly recommends the use of Sun Management Center Software.

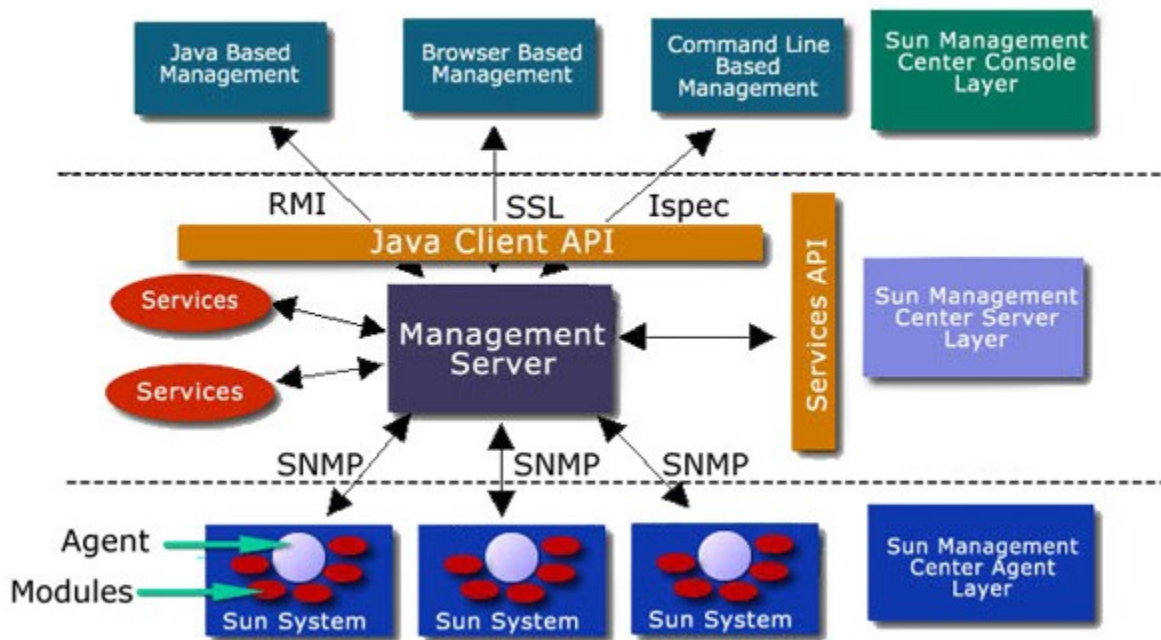
Sun Management Center Software interfaced with a networked SC gives the administrator a high level of system and resource management. The Sun Management Center software provides features such as dynamic system domain management, as well as a GUI interface to dynamic reconfiguration and other system configuration commands. Additionally, it provides photo-realistic images of hardware information, environmental monitoring and propagation of *alarms* to associated devices.

Sun Management Center Software uses a three-tiered, client-server architecture to provide a high level of scalability. The three tiers in the Sun Management Center Software architecture consist of:

- The console layer
- The server layer
- The agent layer



By utilizing an object-centric, dynamic, intelligent design, Sun Management Center Software enables processing to be done at the source where the managed object is located. By distributing management intelligence, Sun Management Center Software enhances the reliability, availability, and serviceability of the enterprise network.



Sun Management Center Software employs autonomous agent technology, a technique in which agents are not dependent on other software components. Based on SNMP technology, these agents collect and process data locally and can act on data to send SNMP traps, run processes and so on, even if connection to the manager is severed. These intelligent agents can monitor dynamic system domains as well as initiate alarms, notification or specific actions based on collected data or messages through customizable rules and thresholds.

Because no one management package can meet every demand of the enterprise, additional modules can be added dynamically to Sun Management Center Software agents from the console without disruption to the management system. This capability provides administrators with a flexible and extensible application that can be tailored to form a comprehensive enterprise management solution that adapts to their changing needs.

Third-party enterprise-management tools—such as Tivoli TES, Unicenter TNG and OpenView VantagePoint Operations—are available for application monitoring and management, as well as managing heterogeneous environments. Sun Management Center 3.5 software is designed for monitoring the Solaris OS and Sun Fire servers. Sun Management Center software can be integrated with third-party enterprise management tools to enable superior management of Sun servers within a heterogeneous compute environment.





## Solaris Management Console Software

Solaris Management Console software makes it easy for administrators to configure and administer Solaris OS systems. Based on Java technology, Solaris Management Console software can launch a UNIX application on a Solaris server in a network. It provides views of servers on the network as well as applications on those servers, which allows for easy local and remote administration of multiple servers running Solaris Management Console software. It also delivers powerful capabilities to make the process of adding users, hosts, or applications as simple as pointing and clicking from virtually any client on the network.

Solaris Management Console software helps enable administrators to register other Solaris Management Console servers and applications on the network. When the console is accessed, it dynamically configures tree views of registered hosts and services, making it easier to manage each Solaris server. Solaris Management Console software helps enable administrators to view activity on all their servers and modify applications and services running on them.

Solaris Management Console software allows administrators to launch applications, such as administration tools on a remote server, while monitoring the application via a light front-end GUI on the client. This virtually eliminates the need to download large applications over the network and install and run them on the client. With Solaris Management Console software, remote servers can be managed easily with tools already located on the server. This remote capability allows administrators to manage administrative and network services from home or virtually any other location without having to come in to the network operation center when a trouble call comes in.

Solaris Management Console software makes Solaris OS administration easier by providing:

- Centralized administration - current Solaris OS administration tools can be integrated and run from one location
- Centralized management - all servers on a network can be managed from a single console
- Single login helps eliminate multiple logins into applications launched by Solaris Management Console software

Solaris Management Console software also provides a set of wizards to simplify complex administration tasks:

- DNS server configuration
- DNS client configuration
- Default router modification
- Change root password
- Network connection configuration
- Shutdown/restart computer

Solaris Administration Wizards can be run from Solaris Management Console software or invoked via the command line. The wizards make the Solaris OS easy to administer by providing a point-and-click, Java technology-based graphical user interface (GUI) for configuring Solaris systems.



## Solaris Resource Manager Software

Solaris Resource Manager software is a tool for enabling resource availability for users, groups and applications. It provides the ability to allocate and control major system resources such as CPU, virtual memory, and number of processes. Solaris Resource Manager software is the key enabler for server consolidation and increased system resource utilization. With this product, multiple applications and groups receive a consistent level of service on a single server. In fact, resources can be allocated to the individual user. Resource utilization can actually increase because unused capacity is dynamically allocated to active users and applications. Systems can become easier to manage because system administrators have the ability to set and enforce resource usage policies. Solaris Resource Manager software makes resource usage data available for use in user-defined reports, accounting tools and scripts.

Solaris Resource Manager software includes the following features:

- Ability to control CPU, virtual memory, number of processes, number of logins, and connect time
- Dynamically allocate resources according to predefined policies
- Map resources to groups within applications and individual users within groups
- Ability to automate dynamic resource allocation through easy to set resource policies

## Sun Cluster Software

Sun Cluster software provides higher levels of availability than is possible with a single server. This solution automates recovery from any single hardware or software failure by automatically restarting a failed application or migrating the application and its resources to a backup server in the event of a hardware failure.

Sun Cluster software provides mainframe-class reliability, availability, and scalability for e-commerce, ERP, data warehousing and other mission-critical applications and services. It delivers an easy-to-use, continuously available, multiplatform clustering solution that is completely integrated with the Solaris OS.

Key features of Sun Cluster software include support for the Solaris 8 OE, up to four clustered nodes from Sun's entire line of servers, failover agents for key applications, and a unified clustering foundation for standard and parallel applications.

Highlights include the following:

- Cluster up to eight servers to meet the needs of any workgroup, department, or data center
- Run both standard and parallel applications on the same cluster
- Dynamically add nodes
- Manage the cluster through the easy-to-use Sun Cluster Management Console
- Fault management API to customize applications for high availability
- Individual application failover, local application restart, and local network adaptor failover for fast recovery
- High-speed cluster interconnects and high-bandwidth networking deliver exceptional throughput



- The Sun Fire E2900 server supports Sun Cluster 3.1 and includes support for the numerous storage arrays. Please refer to [www.sun.com/software/cluster](http://www.sun.com/software/cluster) for more details.

## SunVTS Software

The Sun Validation Test Suite, or SunVTS software, is an online diagnostics tool and system exerciser for verifying the configuration and functionality of Sun hardware controllers, devices, and platforms. SunVTS software is standard on the Solaris Supplemental CDROM.

Customers can run SunVTS software using any of these interfaces: a command line interface, a terminal interface, or a graphical interface that runs within a windowed desktop environment.

SunVTS software lets customers view and control a testing session over modem lines or over a network. Using a remote system, customers can view the progress of a SunVTS testing session, change testing options, and control all testing features of another system on the network.

The SunVTS system exerciser is a graphically oriented UNIX software application that permits the continuous exercising of system resources and internal and external peripheral equipment. Used to determine if the system is functioning properly, SunVTS software incorporates a multifunctional stress test of the system through operating-system-level calls, and allows the addition of new tests as they become available.

## Capacity on Demand (COD 2.0)

The Sun Fire E2900 server now supports Capacity On Demand (COD) 2.0. With COD, customers can purchase servers installed with extra CPU/memory resources that they can activate at a later date when needed - with no disruption to operations - by purchasing Right to Use (RTU) licenses. By providing instant access to additional hardware resources, Capacity On Demand 2.0 helps improve availability, increase utilization, and lower Total Cost of Ownership (TCO) in your data center with Sun Fire E2900,

### How It Works

Through the COD program, customers purchase new servers with unlicensed CPU/memory boards or install unlicensed COD CPU/Memory boards in existing systems. Each COD CPU/Memory board contains four UltraSPARC IV CPUs, which are considered as available processing resources. However, customers do not have the right to use these COD CPUs until they also purchase the right-to-use (RTU) licenses for them. The purchase of a permanent COD RTU license entitles the customer to receive a license key, which will enable the appropriate number of COD processors.

(Note that as the memory is directly controlled by the CPU, the physical memory banks associated with a particular CPU will be disabled if that CPU is disabled. It is possible to have a single CPU/memory board with a combination of enabled/disabled CPUs. Only the memory associated with the enabled CPUs would be accessible.)

RTU licenses are ordered with a separate part number when COD processors are ready to be used. When COD 2.0 RTU licenses are ordered, the customer will receive a COD 2.0 license certificate card that contains a serial number and instructions on contacting Sun's License Processing System (LPS) centers to receive the COD 2.0 license keys for the COD RTU licenses purchased. If more than one RTU license has been purchased, it is possible to request the LPS center to combine the RTUs into a single license key



for easier administration. COD 2.0 licenses keys are to be entered into the system using the COD 2.0 software Command Line Interface commands.

Note that the RTUs for the Sun Fire E2900 Server COD boards are keyed only to the Sun Fire E2900/V1280 servers. Attempts to use a Sun Fire E2900 Server RTU on a Sun Fire E4900–E25K server will result in a failed CPU.

- The Sun Fire E2900 RTU part number is XCOD-E2900-RTU
- The Sun Fire E4900–E25K RTU part number is XCOD-2-RTU

For complete configuration rules and details, see page 61.

## Key Features & Benefits

### Higher Availability

COD 2.0 improves server availability by allowing instant access to unlicensed resources with no disruption to operations. This “headroom” feature means that additional system resources that can be dynamically reconfigured into your production environment—without the need to reboot your system. With the Sun Fire E2900, customers can use up to four CPUs as “hot spares” for previously activated COD CPUs or for non-COD CPUs. However, when used as a spare for a non-COD CPUs, customers must repair the failed non-COD CPU and deactivate the hot-spare within 30 days or purchase a permanent right to use license.

### Increased Utilization

COD allows customers to activate additional resources in single CPU increments, which helps increase system utilization by better matching system usage with asset acquisition. This enables IT organizations to instantly scale to meet peak demands without having to pay for the entire amount until the extra capacity is needed.

### Reduced Cost

COD enables organizations to purchase larger system configurations than are currently required at lower up-front costs. This allows customers to be prepared for growth without having to pay in advance! For example, the price of a single-CPU COD Sun Fire E2900 is 35% lower than the standard 4-CPU system.

In addition to lower entry prices, COD also helps reduce third-party software and service costs that are applied to active CPUs. Inactive COD CPUs are not charged software licensing fees by those Independent Software Vendors (ISVs) that charge per CPU or per CPU core until the COD CPUs are activated. Furthermore, unlicensed COD CPUs are not subject to Sun Service contract charges. When a COD CPU/memory board is purchased, the monthly service support contract price is split into 5 parts - one for the board and one for each CPU. Therefore, an unlicensed COD board is charged 20% of the standard CPU/memory board Service contract price with each activated CPU adding another 20%.

By utilizing only the specific number of CPU resources needed, you can minimize hardware, software, and maintenance costs while maximizing system utilization for lower Total Cost of Ownership.



There is no premium price for COD 2.0 options over standard options and there is no time requirement to purchase RTU licenses. For data center environments with unpredictable growth or sudden increases in peak usage, COD 2.0 provides a cost-effective method for adding reserve or growth capacity.

### **Simplified Management**

All Sun Fire E2900 servers with firmware 5.18 or later are “COD ready.” Customers can have extra CPU resources installed and decide to activate those resources at their convenience. In addition, customers are not required to install remote system monitoring or generate system usage reports. The net result is a simple, flexible provisioning of hardware resources on demand.

Sun Fire capacity on demand customers and resellers will be required to abide by specific legal terms and conditions, which can be found at the following URL, under your specific country of choice:

[http://sunwebcms.central:8001/sunweb/cda/mainAssembly/0,2685,455298\\_5108,00.html](http://sunwebcms.central:8001/sunweb/cda/mainAssembly/0,2685,455298_5108,00.html)

A copy of the end user contract appendix can be viewed by selecting “COD 2.0 Program End User Appendix.” A copy of the channel partner appendix can be viewed by selecting “COD 2.0 Channel Partner Participation Appendix.”)



# Chapter 10: Ordering Information

## Assemble-to-order Configurations (ATO)

Assemble-to-order configurations will now be available for Sun Fire E2900 systems. The Sun Fire E2900 server ATO configuration uses a building block approach that enables any combination of supported CPU/memory boards, select PCI adapters, & optional tape drive can be factory installed and shipped according to customer requirements at no additional price or lead-time.

### Base Chassis & Bundles

There are three base chassis available. The first includes the original PCI assembly, the second includes the PCI+ assembly and the third contains the new PCI-X assembly. Each includes disks, DVD-ROM, integrated Gb ethernet and SCSI ports, power supplies, fans, System Configuration Card & reader, and rack kit.

There are also five ATO 'SYS' bundles that each contain a CPU/memory board on either the PCI+ or PCI-X based chassis.

<b>Order Number</b>	<b>Description</b>
E2900-BASE-Z	Sun Fire E2900 server chassis. Includes 2 * 146GB disks, 1 * DVD-ROM, 2 * Gb ethernet ports, 1 * Ultra3 SCSI port, 4 * power supplies (2N redundancy), 6 * PCI I/O slots, & rack kit. RoHS-5
E2900-BASE2-Z	Sun Fire E2900 server chassis. Includes 2 * 146GB disks, 1 * DVD-ROM, 2 * Gb ethernet ports, 1 * Ultra320 SCSI port, 4 * power supplies (2N redundancy), 6 * PCI+ I/O slots, & rack kit. RoHS-5
E2900-BASE3-Z	Sun Fire E2900 server chassis. Includes 2 * 146GB disks 15K RPM hard disks, 1 * DVD-ROM, 2 * Gb ethernet ports, 1 * Ultra320 SCSI port, 4 * power supplies (2N redundancy), 6 * PCI_X I/O slots, & rack kit. RoHS-5
SYS2900A-4-1500-Z	Sun Fire E2900 server bundle. Includes 1 * CPU/Memory Board with 4 * 1.5GHz UltraSPARC IV+ Processors (32MB L3 cache each) and 16GB of DRAM (32 * 512MB DIMMs), 2 * 146GB 10Krpm hard disks, 1 * DVD-ROM, 2 * Gb ethernet ports, 1 * Ultra320 SCSI port, 4 * AC power supplies (2N redundancy), 6 * PCI+ I/O slots, cable management arm, and rack/rail kit. RoHS-5
SYS2900B-4-1500-Z	Sun Fire E2900 server bundle. Includes 1 * CPU/Memory Board with 4 * 1.5GHz UltraSPARC IV+ Processors (32MB L3 cache each) and 32GB of DRAM (32 * 1GB DIMMs), 2 * 146GB 10Krpm hard disks, 1 * DVD-ROM, 2 * Gb ethernet ports, 1 * Ultra320 SCSI port, 4 * AC power supplies (2N redundancy), 6 * PCI+ I/O slots, cable management arm, and rack/rail kit. RoHS-5



SYS2900A-4-1800-Z	Sun Fire E2900 server bundle. Includes 1 * CPU/Memory Board with 4 * 1.8GHz UltraSPARC IV+ Processors (32MB L3 cache each) and 16GB of DRAM (32 * 512MB DIMMs), 2 * 146GB 15K rpm hard disks, 1 * DVD-ROM, 2 * Gb ethernet ports, 1 * Ultra320 SCSI port, 4 * AC power supplies (2N redundancy), 6 * PCI-X I/O slots, cable management arm, and rack/rail kit. RoHS-5
SYS2900B-4-1800-Z	Sun Fire E2900 server bundle. Includes 1 * CPU/Memory Board with 4 * 1.8GHz UltraSPARC IV+ Processors (32MB L3 cache each) and 32GB of DRAM (32 * 1GB DIMMs), 2 * 146GB 15Krpm hard disks, 1 * DVD-ROM, 2 * Gb ethernet ports, 1 * Ultra320 SCSI port, 4 * AC power supplies (2N redundancy), 6 * PCI-X I/O slots, cable management arm, and rack/rail kit. RoHS-5
SYS2900C-4-1800-Z	Sun Fire E2900 server bundle. Includes 1 * CPU/Memory Board with 4 * 1.8GHz UltraSPARC IV+ Processors (32MB L3 cache each) and 64GB of DRAM (32 * 2GB DIMMs), 2 * 146GB 15Krpm hard disks, 1 * DVD-ROM, 2 * Gb ethernet ports, 1 * Ultra320 SCSI port, 4 * AC power supplies (2N redundancy), 6 * PCI-X I/O slots, cable management arm, and rack/rail kit. RoHS-5
SYS2900A-4-1950-Z	Sun Fire E2900 server bundle. Includes 1 * CPU/Memory Board with 4 * 1.95GHz UltraSPARC IV+ Processors (32MB L3 cache each) and 16GB of DRAM (32 * 512MB DIMMs), 2 * 146GB 15K rpm hard disks, 1 * DVD-ROM, 2 * Gb ethernet ports, 1 * Ultra320 SCSI port, 4 * AC power supplies (2N redundancy), 6 * PCI-X I/O slots, cable management arm, and rack/rail kit. RoHS-5
SYS2900B-4-1950-Z	Sun Fire E2900 server bundle. Includes 1 * CPU/Memory Board with 4 * 1.95GHz UltraSPARC IV+ Processors (32MB L3 cache each) and 32GB of DRAM (32 * 1GB DIMMs), 2 * 146GB 15Krpm hard disks, 1 * DVD-ROM, 2 * Gb ethernet ports, 1 * Ultra320 SCSI port, 4 * AC power supplies (2N redundancy), 6 * PCI-X I/O slots, cable management arm, and rack/rail kit. RoHS-5
SYS2900C-4-1950-Z	Sun Fire E2900 server bundle. Includes 1 * CPU/Memory Board with 4 * 1.95GHz UltraSPARC IV+ Processors (32MB L3 cache each) and 64GB of DRAM (32 * 2GB DIMMs), 2 * 146GB 15Krpm hard disks, 1 * DVD-ROM, 2 * Gb ethernet ports, 1 * Ultra320 SCSI port, 4 * AC power supplies (2N redundancy), 6 * PCI-X I/O slots, cable management arm, and rack/rail kit. RoHS-5

To each base chassis, the customer must add at least 1 CPU/memory board. There is no requirement to add more boards to the SYS bundles. The following boards are currently supported on ATO configurations.



<b>Order Number</b>	<b>Option Description</b>	<b>Max per System</b>	<b>Comments</b>
<b>Processor/Memory Boards (note: 1.95GHz UltraSPARC IV+ will NOT support COD configurations)</b>			
E29BRD482-1350-Z	E2900 board bundle with: 4 * 1.35GHz UltraSPARC IV Processors with 16MB cache each, 8 banks of 2GB memory options (32 * 512MB DIMMs / 16GB total for the board). (Standard Configuration) For use with the Sun Fire E2900 & V1280. RoHS-5	3	32 * 512MB DIMMs
E29BRD482-1350C-Z	Sun Fire E2900 UltraSPARC IV Capacity On Demand (COD) CPU/memory board with 4 inactive * 1.35GHz UltraSPARC IV processors and 16GB memory (32 * 512MB DIMMs). For use with the Sun Fire E2900 & V1280. RoHS-5	3	32 * 512MB DIMMs
E29BRD482-1500-Z	Sun Fire E2900 CPU/memory board with: 4 * 1.5GHz UltraSPARC IV+ processors (each with 32MB L3 cache) and 16GB memory (32 * 512MB DIMMs per board). (Standard Configuration) For use with the Sun Fire E2900. RoHS-5	3	32 * 512MB DIMMs
E29BRD482-1500C-Z	Sun Fire E2900 Capacity On Demand CPU/memory board with: 4 * INACTIVE 1.5GHz UltraSPARC IV+ processors (each with 32MB L3 cache) and 16GB memory (32 * 512MB DIMMs per board). (Standard Configuration) Requires purchase of CPU Right To Use (RTU) license (XCOD-E2900-RTU) to activate CPU. RoHS-5	3	32 * 512MB DIMMs
E29BRD484-1350-Z	E2900 board bundle with: 4 * 1.35GHz UltraSPARC IV Processors with 16MB cache each, 8 banks of 4GB memory options (32 * 1GB DIMMs / 32GB total for the board). (Standard Configuration) For use with the Sun Fire E2900 & V1280. RoHS-5	3	32 * 1GB DIMMs
E29BRD484-1350C-Z	Sun Fire E2900 UltraSPARC IV Capacity On Demand (COD) CPU/memory board with 4 inactive * 1.35GHz UltraSPARC IV processors and 32GB memory (32 * 1GB DIMMs). For use with the Sun Fire E2900 & V1280. RoHS-5	3	32 * 1GB DIMMs
E29BRD484-1500-Z	Sun Fire E2900 CPU/memory board with: 4 * 1.5GHz UltraSPARC IV+ processors (each with 32MB L3 cache) and 32GB memory (32 * 1GB DIMMs per board). (Standard Configuration) For use with the Sun Fire E2900. RoHS-5	3	32 * 1GB DIMMs





<b>Order Number</b>	<b>Option Description</b>	<b>Max per System</b>	<b>Comments</b>
E29BRD484-1500C-Z	Sun Fire E2900 Capacity On Demand CPU/memory board with: 4 * INACTIVE 1.5GHz UltraSPARC IV+ processors (each with 32MB L3 cache) and 32GB memory (32 * 1GB DIMMs per board). (Standard Configuration). Requires purchase of CPU Right To Use (RTU) license (XCOD-E2900-RTU) to activate CPU. RoHS-5	3	32 * 1GB DIMMs
E29BRD482-1800-Z	Sun Fire E2900 CPU/memory board with: 4 * 1.8GHz UltraSPARC IV+ processors (each with 32MB L3 cache) and 16GB memory (32 * 512MB DIMMs per board). (Standard Configuration) For use with the Sun Fire E2900. RoHS-5	3	32 * 512MB DIMMs
E29BRD482-1800C-Z	Sun Fire E2900 Capacity On Demand CPU/memory board with: 4 * INACTIVE 1.8GHz UltraSPARC IV+ processors (each with 32MB L3 cache) and 16GB memory (32 * 512MB DIMMs per board). (Standard Configuration) Requires purchase of CPU Right To Use (RTU) license (XCOD-E2900-RTU) to activate CPU. RoHS-5	3	32 * 512MB DIMMs
E29BRD484-1800-Z	Sun Fire E2900 CPU/memory board with: 4 * 1.8GHz UltraSPARC IV+ processors (each with 32MB L3 cache) and 32GB memory (32 * 1GB DIMMs per board). (Standard Configuration) For use with the Sun Fire E2900. RoHS-5	3	32 * 1GB DIMMs
E29BRD484-1800C-Z	Sun Fire E2900 Capacity On Demand CPU/memory board with: 4 * INACTIVE 1.8GHz UltraSPARC IV+ processors (each with 32MB L3 cache) and 32GB memory (32 * 1GB DIMMs per board). (Standard Configuration). Requires purchase of CPU Right To Use (RTU) license (XCOD-E2900-RTU) to activate CPU. RoHS-5	3	32 * 1GB DIMMs
E29BRD488-1800-Z	Sun Fire E2900 CPU/memory board with: 4 * 1.8GHz UltraSPARC IV+ processors (each with 32MB L3 cache) and 64GB memory (32 * 2GB DIMMs per board). (Standard Configuration) For use with the Sun Fire E2900. RoHS-5	3	32 * 2GB DIMMs



<b>Order Number</b>	<b>Option Description</b>	<b>Max per System</b>	<b>Comments</b>
E29BRD488-1800C-Z	Sun Fire E2900 Capacity On Demand CPU/memory board with: 4 * INACTIVE 1.8GHz UltraSPARC IV+ processors (each with 32MB L3 cache) and 64GB memory (32 * 2GB DIMMs per board). (Standard Configuration). Requires purchase of CPU Right To Use (RTU) license (XCOD-E2900-RTU) to activate CPU. RoHS-5	3	32 * 2GB DIMMs
E29BRD488-1350-Z	Sun Fire E2900 CPU/memory board with: 4 * 1.35GHz UltraSPARC IV processors (each with 32MB L3 cache) and 64GB memory (32 * 2GB DIMMs per board). (Standard Configuration) For use with the Sun Fire E2900. RoHS-5	3	32 * 2GB DIMMs
E29BRD488-1350C-Z	Sun Fire E2900 Capacity On Demand CPU/memory board with: 4 * INACTIVE 1.35GHz UltraSPARC IV processors (each with 32MB L3 cache) and 64GB memory (32 * 2GB DIMMs per board). (Standard Configuration). Requires purchase of CPU Right To Use (RTU) license (XCOD-E2900-RTU) to activate CPU. RoHS-5	3	32 * 2GB DIMMs
E29BRD488-1500-Z	Sun Fire E2900 CPU/memory board with: 4 * 1.5GHz UltraSPARC IV+ processors (each with 32MB L3 cache) and 64GB memory (32 * 2GB DIMMs per board). (Standard Configuration) For use with the Sun Fire E2900. RoHS-5	3	32 * 2GB DIMMs
E29BRD488-1500C-Z	Sun Fire E2900 Capacity On Demand CPU/memory board with: 4 * INACTIVE 1.5GHz UltraSPARC IV+ processors (each with 32MB L3 cache) and 64GB memory (32 * 2GB DIMMs per board). (Standard Configuration). Requires purchase of CPU Right To Use (RTU) license (XCOD-E2900-RTU) to activate CPU. RoHS-5	3	32 * 2GB DIMMs
E29BRD482-1950-Z	E2900 board bundle with: 4 * 1.95GHz UltraSPARC IV Processors with 16MB cache each, 16GB Memory (32 * 512MB DIMMs) (Standard Configuration). For use with the Sun Fire E2900 & V1280. RoHS-5	3	32 * 512MB DIMMs
E29BRD484-1950-Z	E2900 board bundle with: 4 * 1.95GHz UltraSPARC IV Processors with 16MB cache each, 32GB Memory (32 * 1GB DIMMs) (Standard Configuration). For use with the Sun Fire E2900 & V1280. RoHS-5	3	32 * 1GB DIMMs



<b>Order Number</b>	<b>Option Description</b>	<b>Max per System</b>	<b>Comments</b>
E29BRD488-1950-Z	E2900 board bundle with: 4 * 1.95GHz UltraSPARC IV Processors with 16MB cache each, 64GB Memory (32 * 2GB DIMMs) (Standard Configuration). For use with the Sun Fire E2900 & V1280. RoHS-5	3	32 * 2GB DIMMs

**Note:** If only Capacity On Demand boards are ordered (without any non-COD boards), then the customer must also order at least one Right To Use License: XCOD-E2900-RTU

## ATO Options

The customer has the choice to add the following optional PCI cards, tape drive, and OS download. Over time, more options will be qualified for factory installation.

### Optional PCI adapters:

- 4422A - PCI dual 10/100/1000 Mbps Ethernet UTP (RJ45) and dual 80 MBps Wide-Ultra2 SE/LVD SCSI interfaces.
- SG-PCI2SCSI-LM320 - PCI Dual Ultra320 SCSI Host Bus Adapter
- SG-PCI2FC-QF2 - 2Gb PCI dual fibre channel network adapter, 200MB/s per channel with optical interface
- 4445A - Quad GigaSwift Ethernet PCI-X UTP Adapter (QGEX) short length with four 10/100/1000 BASE-T Ethernet interfaces

### Optional tape drive:

- SG-TAPDAT72-3F68 - DAT 72 tape drive-internal

### Optional software:

- Solaris 10 (3/05 HW1) & Sun Java(TM) Enterprise System 2005Q1

For additional factory configuration options not currently offered under the ATO system, please use the Customer Ready Systems (CRS) program. See page 70 for more information.

## Configuration Rules

For additional configuration information and updates, please refer to the Worldwide Configuration Guide at: <http://mysales/public/configGuide>

## Capacity On Demand (COD) Configurations (note: Sun Fire E2900 will not support 1.95GHz configurations with COD)

Customers can acquire COD Sun Fire E2900 configurations in three ways:



1) Order a base chassis and COD board(s) with a one-RTU license purchase requirement.

- E2900-BASE-Z, E2900-BASE2-Z or E2900-BASE3-Z + COD board(s)

WebDesk configurator will enforce the one-RTU minimum. The factory will ship the system with one CPU active using the “head-room” COD feature. The customer will receive one or more COD 2.0 license certificate cards that contains a serial number and instructions on contacting Sun’s License Processing System (LPS) centers to receive the COD 2.0 license keys for the COD RTU licenses purchased. Once the customer receives the license keys, he needs only to permanently activate the CPUs.

2) Add COD CPU/memory boards to non-COD configurations. Customers can add COD CPU/memory boards to Sun Fire E2900 and V1280 servers. This can be done in the factory on SYS bundles (See page 70) or as a field upgrade.

## System Requirements

- Minimum firmware version 5.18 for 1.05/1.2GHz, 5.18.1 for 1.35GHz, 5.19 for 1.5GHz, 5.20.1 for 1.8GHz, 5.20.3 for 1.95GHz.
- UltraSPARC IV minimum Solaris OS version
  - Solaris 8 (2/04) or later
  - Solaris 9 (4/04) or later
  - Solaris 10 (3/05)
- UltraSPARC IV+ minimum Solaris OS version
  - Solaris 9 (9/05) or later
  - Solaris 10 (3/05 HW1)

Any Sun Fire V1280 or E2900 server can be expanded/upgraded with UltraSPARC IV or IV+ COD boards so long as the firmware and Solaris version levels are updated as described above (plus the necessary hardware upgrade requirement if installing 1.8GHz). Furthermore, the UltraSPARC IV/IV+ COD boards can be mixed & matched with any existing UltraSPARC III or UltraSPARC IV non-COD boards in any combination. There are no restrictions so long as the software is updated.



# Chapter 11: Options

## Internal Options

Order Number	Option Description	Max per System	Comments
<b>Processor/Memory Boards (note: 1.95GHz UltraSPARC IV+ will NOT support COD configurations)</b>			
XE29BRD482-1350-Z	E2900 board bundle with: 4 * 1.35GHz UltraSPARC IV Processors with 16MB cache each, 8 banks of 2GB memory options (32 * 512MB DIMMs / 16GB total for the board). (Standard Configuration) For use with the Sun Fire E2900 & V1280. RoHS-5	3	32 * 512MB DIMMs
XE29BRD482-1350C-Z	Sun Fire E2900 UltraSPARC IV Capacity On Demand (COD) CPU/memory board with 4 inactive * 1.35GHz UltraSPARC IV processors and 16GB memory (32 * 512MB DIMMs). For use with the Sun Fire E2900 & V1280. RoHS-5	3	32 * 512MB DIMMs
XE29BRD482-1500-Z	Sun Fire E2900 CPU/memory board with: 4 * 1.5GHz UltraSPARC IV+ processors (each with 32MB L3 cache) and 16GB memory (32 * 512MB DIMMs per board). (Standard Configuration) For use with the Sun Fire E2900. RoHS-5	3	32 * 512MB DIMMs
XE29BRD482-1500C-Z	Sun Fire E2900 Capacity On Demand CPU/memory board with: 4 * INACTIVE 1.5GHz UltraSPARC IV+ processors (each with 32MB L3 cache) and 16GB memory (32 * 512MB DIMMs per board). (Standard Configuration) Requires purchase of CPU Right To Use (RTU) license (XCOD-E2900-RTU) to activate CPU. RoHS-5	3	32 * 512MB DIMMs
XE29BRD484-1350-Z	E2900 board bundle with: 4 * 1.35GHz UltraSPARC IV Processors with 16MB cache each, 8 banks of 4GB memory options (32 * 1GB DIMMs / 32GB total for the board). (Standard Configuration) For use with the Sun Fire E2900 & V1280. RoHS-5	3	32 * 1GB DIMMs
XE29BRD484-1350C-Z	Sun Fire E2900 UltraSPARC IV Capacity On Demand (COD) CPU/memory board with 4 inactive * 1.35GHz UltraSPARC IV processors and 32GB memory (32 * 1GB DIMMs). For use with the Sun Fire E2900 & V1280. RoHS-5	3	32 * 1GB DIMMs



<b>Order Number</b>	<b>Option Description</b>	<b>Max per System</b>	<b>Comments</b>
XE29BRD484-1500-Z	Sun Fire E2900 CPU/memory board with: 4 * 1.5GHz UltraSPARC IV+ processors (each with 32MB L3 cache) and 32GB memory (32 * 1GB DIMMs per board). (Standard Configuration) For use with the Sun Fire E2900. RoHS-5	3	32 * 1GB DIMMs
XE29BRD484-1500C-Z	Sun Fire E2900 Capacity On Demand CPU/memory board with: 4 * INACTIVE 1.5GHz UltraSPARC IV+ processors (each with 32MB L3 cache) and 32GB memory (32 * 1GB DIMMs per board). (Standard Configuration). Requires purchase of CPU Right To Use (RTU) license (XCOD-E2900-RTU) to activate CPU. RoHS-5	3	32 * 1GB DIMMs
XE29BRD482-1800-Z	Sun Fire E2900 CPU/memory board with: 4 * 1.8GHz UltraSPARC IV+ processors (each with 32MB L3 cache) and 16GB memory (32 * 512MB DIMMs per board). (Standard Configuration) For use with the Sun Fire E2900. RoHS-5	3	32 * 512MB DIMMs
XE29BRD482-1800C-Z	Sun Fire E2900 Capacity On Demand CPU/memory board with: 4 * INACTIVE 1.8GHz UltraSPARC IV+ processors (each with 32MB L3 cache) and 16GB memory (32 * 512MB DIMMs per board). (Standard Configuration) Requires purchase of CPU Right To Use (RTU) license (XCOD-E2900-RTU) to activate CPU. RoHS-5	3	32 * 512MB DIMMs
XE29BRD484-1800-Z	Sun Fire E2900 CPU/memory board with: 4 * 1.8GHz UltraSPARC IV+ processors (each with 32MB L3 cache) and 32GB memory (32 * 1GB DIMMs per board). (Standard Configuration) For use with the Sun Fire E2900. RoHS-5	3	32 * 1GB DIMMs
XE29BRD484-1800C-Z	Sun Fire E2900 Capacity On Demand CPU/memory board with: 4 * INACTIVE 1.8GHz UltraSPARC IV+ processors (each with 32MB L3 cache) and 32GB memory (32 * 1GB DIMMs per board). (Standard Configuration). Requires purchase of CPU Right To Use (RTU) license (XCOD-E2900-RTU) to activate CPU. RoHS-5	3	32 * 1GB DIMMs
XE29BRD488-1800-Z	Sun Fire E2900 CPU/memory board with: 4 * 1.8GHz UltraSPARC IV+ processors (each with 32MB L3 cache) and 64GB memory (32 * 2GB DIMMs per board). (Standard Configuration) For use with the Sun Fire E2900. RoHS-5	3	32 * 2GB DIMMs



<b>Order Number</b>	<b>Option Description</b>	<b>Max per System</b>	<b>Comments</b>
XE29BRD488-1800C-Z	Sun Fire E2900 Capacity On Demand CPU/memory board with: 4 * INACTIVE 1.8GHz UltraSPARC IV+ processors (each with 32MB L3 cache) and 64GB memory (32 * 2GB DIMMs per board). (Standard Configuration). Requires purchase of CPU Right To Use (RTU) license (XCOD-E2900-RTU) to activate CPU. RoHS-5	3	32 * 2GB DIMMs
XE29BRD488-1350-Z	Sun Fire E2900 CPU/memory board with: 4 * 1.35GHz UltraSPARC IV processors (each with 32MB L3 cache) and 64GB memory (32 * 2GB DIMMs per board). (Standard Configuration) For use with the Sun Fire E2900. RoHS-5	3	32 * 2GB DIMMs
XE29BRD488-1350C-Z	Sun Fire E2900 Capacity On Demand CPU/memory board with: 4 * INACTIVE 1.35GHz UltraSPARC IV processors (each with 32MB L3 cache) and 64GB memory (32 * 2GB DIMMs per board). (Standard Configuration). Requires purchase of CPU Right To Use (RTU) license (XCOD-E2900-RTU) to activate CPU. RoHS-5	3	32 * 2GB DIMMs
XE29BRD488-1500-Z	Sun Fire E2900 CPU/memory board with: 4 * 1.5GHz UltraSPARC IV+ processors (each with 32MB L3 cache) and 64GB memory (32 * 2GB DIMMs per board). (Standard Configuration) For use with the Sun Fire E2900. RoHS-5	3	32 * 2GB DIMMs
XE29BRD488-1500C-Z	Sun Fire E2900 Capacity On Demand CPU/memory board with: 4 * INACTIVE 1.5GHz UltraSPARC IV+ processors (each with 32MB L3 cache) and 64GB memory (32 * 2GB DIMMs per board). (Standard Configuration). Requires purchase of CPU Right To Use (RTU) license (XCOD-E2900-RTU) to activate CPU. RoHS-5	3	32 * 2GB DIMMs
XE29BRD482-1950-Z	E2900 board bundle with: 4 * 1.95GHz UltraSPARC IV Processors with 16MB cache each, 16GB Memory (32 * 512MB DIMMs) (Standard Configuration). For use with the Sun Fire E2900 & V1280. RoHS-5	3	32 * 512MB DIMMs
XE29BRD484-1950-Z	E2900 board bundle with: 4 * 1.95GHz UltraSPARC IV Processors with 16MB cache each, 32GB Memory (32 * 1GB DIMMs) (Standard Configuration). For use with the Sun Fire E2900 & V1280. RoHS-5	3	32 * 1GB DIMMs





<b>Order Number</b>	<b>Option Description</b>	<b>Max per System</b>	<b>Comments</b>
XE29BRD488-1950-Z	E2900 board bundle with: 4 * 1.95GHz UltraSPARC IV Processors with 16MB cache each, 64GB Memory (32 * 2GB DIMMs) (Standard Configuration). For use with the Sun Fire E2900 & V1280. RoHS-5	3	32 * 2GB DIMMs

<b>Order Number</b>	<b>Option Description</b>	<b>Max per System</b>	<b>Comments</b>
<b>Internal Removable Storage Devices</b>			
X6297A	20/40 GB DDS-4 Tape Drive	1	
SG-XTAPDAT72-3F68	Sun StorEdge[™] DAT 72 tape drive-internal option for 3.5 inch bay/68 pin SCSI connect for V1280, E2900 servers.	1	
X5268A	Internal 146GB 10K Ultra 3 SCSI HDD, 3.5" x 1" drive with barrier plate	2	
XRA-SC1CB-146G15KZ	Internal Disk 146GB 15K Ultra 3 SCSI HDD, 3.5" x 1" drive with barrier plate . RoHS-6	2	





<b>Order Number</b>	<b>Option Description</b>	<b>Max per System</b>	<b>Comments</b>
<b>PCI Fibre Channel Host Bus Adapters (HBA)</b>			
SG-(X)PCI1FC-JF2	Single 2Gb Fiber Channel PCI Network Adapter (Amber 2J)	6	
SG-(X)PCI1FC-QF2	Single 2Gb Fiber Channel PCI Network Adapter (Amber 2)	6	
SG-(X)PCI2FC-JF2	Dual 2Gb Fiber Channel PCI Network Adapter (Crystal 2J)	6	
SG-(X)PCI2FC-QF2	Dual 2Gb Fiber Channel PCI Network Adapter (Crystal 2A)	6	
<b>PCI SCSI Host Bus Adapters (HBA)</b>			
(X)6541A	Dual Differential UltraSCSI PCI Host Adapter (UD2S)	4	32Bit, 33MHz
(X)6758A	Dual Ultra3 SCSI Host Adapter (Jasper)	4	
<b>PCI Network Adapters</b>			
(X)3150A	GigaSwift Ethernet UTP PCI Adapter (Cassini)	4	
(X)3151A	GigaSwift Ethernet UTP PCI Adapter (Kuheen)	4	
(X)4422A	Dual FE + Dual SCSI PCI Adapter (Cauldron-S)	4	
LW8-QFE	Quad Fast Ethernet PCI Adapter for Sun Fire 1280 and E2900 only	4	
<b>PCI Communication Adapters</b>			
(X)1155A	Sun High Speed Serial Interface (HSI/P) 2.0 4-port synch	4	
(X)1157A	Sun ATM PCI Adapter 4.0.155 Mbps MMF Interface (Mangeto)	4	
(X)2156A	Sun Serial Asynchronous Interface (SAI/P) card	4	
X1074A	Scalable Coherent Interface (SCI) PCI adapter	2	
X6762A	Crypto Accelerator 1000 (Deimos)	2	

## Storage

The following external storage devices and arrays are supported for the Sun Fire E2900 server. Please refer to configuration guidelines for specific details and updates.



## Boot Devices

Customers may configure these storage devices as boot devices. The appropriate PCI adapter is listed in parentheses.

- Sun StorEdge S1 array (with X4422A or X6758A)
- Sun StorEdge D2 (with X6758A)
- Sun StorEdge 3120 (with X4422A)

## Storage Disks/Arrays

- Sun StorEdge 3000 series
- Sun StorEdge 6000 series
- Sun StorEdge 9000 series

## Other Options & Upgrades

<i>Order Number</i>	<i>Option Description</i>	<i>Comments</i>
X1209A	Small cable arm for power and I/O cables	Note that by default the Sun Fire E2900 is supplied with a large cable arm. The smaller cable arm may be useful where rack depth is constrained, although it is not appropriate if numerous thick PCI cables, such as serial or SCSI cables, are used.
X6806A	Air filter	This will not normally be required. However, on occasion, where the Sun Fire E2900 is installed in an environment with poor air quality, an air filter is recommended.
X1092A	CPU filler panel	Required to cover slots that do not have processor / memory modules. By default new systems are supplied with these filler panels to cover empty slots. However it will be necessary to order one if a processor / memory module is removed permanently from a system.
X1093A	Tape filler panel	Required to cover the tape bay if no tape drive is present. By default new systems are supplied with a tape blanking panel if no tape drive is ordered with the system. This X-option is needed only if a tape drive is to be removed from a Sun Fire E2900.
X6808A	23" 2-post Hendry rack adapter	This adapter is typically limited to being used by Telcos who wish to install the Sun Fire E2900 in a 2-post Hendry rack.
X2764A	System controller upgrade	Version 2 of IB-SSC (Interface Board, Standby System Controller) for Sun Fire V1280.
X2765A	IO and System controller upgrade	PCI+ Interface Board, Standby System Controller (V.2) (PCI+ IB-SSC) for Sun Fire E2900 & V1280 servers.



X2766A-Z	IO and System controller upgrade	PCI-X Interface Board, Standby System Controller (V.2) (PCI-X IB-SSC) for Sun Fire E2900 & V1280 servers. RoHS-5
XE2900-USIV+KIT-Z	Power Supplies	Power upgrade kit for Sun Fire E2900 servers. Required for use of 1.8GHz and 1.95GHz UltraSPARC IV+ CPU/memory boards. Business hour installation services included. RoHS-5

## Power Cords

The Sun Fire E2900 server requires one power cord kit. Each kit contains 4 power cords (one for each power supply).

Customers now have the choice between **15 amp country/region specific** or **20 amp generic** or **20 amp generic watertight** power cords. The “original” sets of power cords are rated up to 15 amps (for example, a NEMA L6-15 for North America). Each identified region has its own unique power connector.

The “generic” sets of power cords are rated up to 20 amps with a NEMA L6-20 20A twist lock plug, #12/3 SJT cord and an IEC320 C13 equipment connector plug for North America and a IEC309 3 pin 250VAC 16A splashproof (IP44) plug, 1.5mm<sup>2</sup> HAR HO5VV-F cord and an IEC320 C13 equipment connector for International.

	<b>Country/Region Specific</b>	<b>Generic</b>	<b>Generic Watertight</b>
	10-15 amp	16-20 amp	16-20 amp WT
North America/Asia	X321L	X336L	X338L
Continental Europe	X322L	X337L	X339L
Denmark	X323L	X337L	X339L
Switzerland	X324L	X337L	X339L
Italy	X325L	X337L	X339L
Australia	X326L	X337L	X339L
UK	X327L	X337L	X339L
China	X328L	X337L	X339L
Argentina	X335L	X337L	X339L
Japan	X333F-40-15-JP		
Israel	X333A-40-10-IL		
Power Cord Jumper, extends <u>any</u> geography specific power cord (must order four)	530-3096-01		



## The Sun<sup>SM</sup> Customer Ready Systems (CRS) Program

The Sun<sup>SM</sup> Customer Ready Systems (CRS) program is designed to give customers the ability to buy Sun factory integrated products with custom options and services in order to make deploying solutions from Sun Microsystems simpler, safer and swifter.

**Simpler** – With complete system solutions comprised of Sun and complementary (non-competitive) third-party hardware and software and a range of integration services. Select solutions can be made orderable by a single part number.

**Safer** -- Thanks to enhanced quality through factory integration and interoperability testing in Sun's ISO 9002 certified factory

**Swifter** -- Because of operational efficiencies due to reduced integration and deployment times

Early customers have experienced a 90-95% decrease in deployment times with the Sun CRS program, thus reducing time to revenue. The Sun CRS program has also decreased early-life system issues up to 80% as a result of reduced system handling through factory integration.

### Sun Fire E2900 Server through CRS

The CRS program offers complete ready-to-deploy Sun Fire E2900 server with internal options such as factory installation of the optional tape drive or PCI cards (e.g. Gigabit Ethernet, FC-AL, QFE, ATM, iSCSI, SSL or SAI). One or two Sun Fire E2900 servers can be factory racked and cabled with other qualified Sun products such as StorEdge disks and arrays in the Sun Rack 900 cabinets.

CRS can load the Solaris OS and customer-provided software. Customer-provided software is an SVR4 package or UFS Dump Image that include the Solaris OS as the customer has configured it and may include patch levels, management software, middleware, applications or data provided to Sun by the customer.

Integration services of Sun's CRS program have been developed by Sun for customers with repetitive and/or volume integration needs, including design and validation services, factory integration services, life-cycle management, and managed deployment.

### Ordering Sun Fire E2900 Server through CRS

To engage with CRS, customers and iForce partners should contact their Sun sales account team for more information or visit:

[www.sun.com/integration](http://www.sun.com/integration).

Sun sales account teams can contact their Integration Manager for more information. A list is available at the Sun internal URL:

[http://systems.corp/products/crsp/crsp\\_contacts.html](http://systems.corp/products/crsp/crsp_contacts.html)



# Chapter 12: Upgrades

---

## Sun Upgrade Advantage Program (UAP)

The Sun Upgrade Advantage Program (UAP) offers trade-in discounts for upgrades from qualified Sun or competitive servers toward replacement Sun Fire enterprise servers with trade-in allowances of up to 20% applied to replacement servers, and up to 25% applied toward replacement system boards.

Customers have the option to trade-in Sun Enterprise UltraSPARC II based or UltraSPARC III based servers, upgrade to replacement Sun Fire enterprise servers, and receive upfront trade-in allowances applied to the list price of the replacement server in addition to Sun contractual discounts. The Sun UAP trade-in allowances range from 3% to 20% dependent upon the value of the trade-in system.

Customers have the option to trade-in a single system, or consolidate and trade-in multiple Sun or competitive systems and migrate resources to a new replacement Sun Fire enterprise server. Qualified competitive system trade-ins include IBM RS/6000 or pSeries servers, HP 9000, AlphaServer or Superdome servers, and Fujitsu PrimePOWER servers.

### Server Board Upgrade Programs:

UAP upgrade programs also offer trade-in allowances for upgrades of existing Sun Fire Uniboards to replacement x-option boards with faster processors. Trade-in discounts of up to 25% are available for Uniboard upgrades. The Sun UAP program also offers system for board upgrade discounts where customers trade-in an existing system, and migrate these resources to a new Sun Fire server board added to an existing Sun Fire server.

Upgrade options are also available for upgrades of existing memory on Sun Fire enterprise server boards to higher density memory with discounts of up to 20%.

### Chassis Upgrade Kits:

Required upgrade kits to support UltraSPARC IV or IV+ boards and 2GB DIMMS in existing Sun Fire enterprise UltraSPARC III or IV based chassis are purchased as x-option parts, and Sun UAP allowances are applied to these upgrade kits.

### Sun UAP Program and Partners:

The Sun UAP program is available for resale through Sun Authorized Partners. Systems being upgraded must be owned by, used by, and in the possession of the customer at least 90 days prior to upgrading. To qualify for the upgrade allowance, customers must return within 90 days, a bootable working system.

### Calculate Trade-In Allowances:

Trade-in allowances can be calculated using the Sun UAP Trade-In Calculator located at the following sites, or contact your Sun Sales Representative or Authorized CDP.

<http://sun.com/tradeins/calculator.jsp>



[http://ibb.sun.com/apps/t3\\_int/calculator.php](http://ibb.sun.com/apps/t3_int/calculator.php)

<http://ibb.sun.com/apps/partnertic/calculator.php>

Sun Upgrade Advantage Program for Sun Fire Enterprise Servers:

<http://sun.com/ibb/enterprise>

<http://ibb.eng/enterprise>

<http://partner.sun.com/ibb/enterprise>



# Chapter 13: Sun Services

---

Sun's integrated portfolio of Sun Fire E2900 service solutions is designed to help customers architect, implement, and manage their infrastructures to support sustainable, highly available, and scalable business growth.

Improving time to market is critical in today's business climate and Sun can help customers to configure and deploy multiple Sun Fire E2900 servers into their environments. Our technology experts can help customers reduce time to productivity while establishing a solid foundation for reliability, availability, serviceability, and growth. Sun helps customers to better manage today's fast-paced, constantly evolving environment via easy-to-access flexible training and support.

Sun's portfolio of service solutions for the Sun Fire E2900 includes:

- Professional consulting services to help customers architect, implement, and deploy robust data center environments by leveraging from best practices and a wealth of knowledge and expertise.
- Learning solutions that provide the customer's staff with the skills to assess, design, build, and manage scalable data centers through curriculum designed specifically for their requirements.
- Comprehensive, flexible support services developed to address the unique needs of the data center and complement the customer's business model and operational support strategy.

## Professional Consulting Services

### Architecture Services

Sun's Architecture Services consist of a technology workshop, assessment, and roadmap service to build a customized architectural plan to meet the customers' long term technology strategy and provide for sustained business growth.

- Architecture Workshop - emphasizes the importance of building architectures with service-level requirements such as reliability, availability, scalability, and securability, which can help customers accomplish their business goals, and provide them with a high-level action plan for next steps.
- Architecture Assessment -examines the technology stack from data center to applications to determine the architecture's ability to operate against a desired set of service level requirements.
- Architecture Roadmap - focuses on identifying, prioritizing and documenting functional and service level requirements for the customer's architecture.

### SunReady<sup>SM</sup> Availability Assessment Service (SRAA)

The SunReady Availability Assessment Service is designed to identify gaps and assess risks in the customer's technical architecture and/or operational environment that could affect the availability and/or the ability to meet service level commitments to their end users.



## **Enterprise Security Assessment Service**

The Enterprise Security Assessment Service provides a comprehensive security review and assessment of customers' current security environments to identify security exposures and risks within their policies, processes, procedures, networks, and systems.

## **Performance and Capacity Planning**

Sun's consultants can help customers evaluate their server environments and develop a plan to help meet their current and future business needs. By understanding current system performance and capacity needs, customers can evaluate ways to improve server performance, enhance efficiency of their applications, and achieve high-performance computing environments.

## **Application Readiness Service (ARS)**

This service can help customers optimize availability and service levels for multiple deployments of the Sun Fire E2900 in their IT environment. This service focuses on the availability, security and storage requirements of the customer's environment and enables faster time to production by helping to ensure that the system is ready to support specific applications.

## **Migration Services**

Sun's migration services helps enable a smooth transition from legacy environments to Sun servers such as the Sun Fire E2900s. Sun consultants evaluate the best option for the customers' business for migrating applications, data or both to a new Sun platform.

## **Server Consolidation Assessment Service**

Server Consolidation Assessment Service can help customers define a business case, success factors, candidate servers, and potential cost savings for server consolidation.

For more information on the above services from Sun Professional Services, please visit:

<http://www.sun.com/service/sunps>

## **Training**

### **Sun Fire Workgroup/Enterprise Server Administration Course**

This course provides students with the information needed to configure, monitor and manage the Sun Fire E2900 and other workgroup/enterprise servers. Students learn to implement concurrent maintenance and high availability strategies, troubleshoot hardware problems to the system component level and use firmware tools and applications to assess a system and isolate faults. Course includes classroom lecture with hands-on labs.





## **Solaris Operating Environment Courseware and Professional Certification**

Sun provides Solaris OS training for IT Professional requiring the knowledge and skills to successfully install, manage and troubleshoot the Solaris OS, as well as, validate that they are qualified for the tasks that lie ahead.

## **Education Consulting Services**

Consulting services from Sun Educational Services focuses on the people aspects of IT solutions. Sun can help maximize customers' IT investment by elevating the skill base of their personnel through skills analysis, prescribed learning and expert mentoring and coaching.

## **Sun Fire Skills Package**

Provides customers the opportunity to purchase training at the time of their Sun Fire purchase. Skilled, qualified IT professionals are a key component of Sun Fire availability. A skills package provides the tools necessary to easily integrate training into the hardware sale. The Sun Fire Server Skills Package is a prepackaged training solution that contains the recommended courseware that delivers the skills needed to optimize the Sun Fire server in the computing environment. Once a skills package order is received, an education manager contacts the customer to develop a tailored training program.

## **Other Applicable Courseware**

- Sun Cluster 3.x Administration Training
- Solaris Resource Manager/Bandwidth Manager Training
- Solstice Backup Training
- Solstice DiskSuite Training
- Security Courseware
- Workgroup Server Training

For more information on training and the above courseware, please visit:

<http://www.suned.sun.com>

## **Support Services**

### **SunSpectrum<sup>SM</sup> Support**

The SunSpectrum program is an innovative and flexible service offering that allows customers to choose the level of service best suited to their needs, ranging from mission-critical support for maximum solution availability to backup assistance for self-support customers. The SunSpectrum program provides a simple pricing structure in which a single fee covers support for an entire system, including related hardware and peripherals, the Solaris OS software, and telephone support for Sun software packages. The majority of Sun's customers today take advantage of the SunSpectrum program, underscoring the



value that it represents. Customers should check with their local Sun Services representatives for program and feature availability in their areas.









	PLATINUM	GOLD	SILVER	BRONZE
STANDARD SERVICES	MISSION CRITICAL	BUSINESS CRITICAL	BASIC SUPPORT	SELF SUPPORT
Skills assessment				
Skills analysis & employee development planning				
System check				
Account support plan				
Account support reviews	Quarterly	Semi-annual		
Account management				
Event monitoring & management service				
Sun Vendor Integration Program (SunVIP™)				
Mission-critical escalation support				
System activity log				
On-site service coverage	24/7	8 am-8 pm M-F	8 am-5 pm M-F	
On-site service response	2 hours	4 hours	4 hours	
Customer-defined priority				
Parts replacement	By Sun	By Sun	By Sun	By Customer
Field change orders				
Online & telephone technical support	24/7	24/7	8 am-8 pm M-F	8 am-5 pm M-F
Online & telephone support response	Next Available Engineer	Next Available Engineer	Next Available Engineer	4 hours
Remote diagnostic analysis				
Online Support Center access				
SunSolve™ Online				
Asset reporting & self-monitoring				
Solaris™ Operating Environment releases				
Bundled & embedded software				
Software patch access				
SunSpectrum InfoExpress™ bulletins				
SERVICE ENHANCEMENTS				
24/7 online & telephone technical support	N/A	N/A	Option	Option
24/7 on-site service coverage	N/A	Option	Option	N/A
2 hr on-site service response	N/A	Option	Option	N/A
RAS Profile service	Option	Option	N/A	N/A
Additional customer support contacts	Option	Option	Option	Option
Additional media & documentation	Option	Option	Option	Option

Availability of specific service features, coverage hours and response times may vary by country or location. Response times are determined by Customer-defined Priority. The response times shown are for service requests designated by the customer as "Priority 1." For the Event Monitoring & Management Service, a one-time startup and installation fee for software agents and remote monitoring infrastructure applies in addition to ongoing telecommunications charges. Customers may be required to meet a minimum annual SunSpectrum™ support contract value to receive specific account-based services within SunSpectrum Platinum™ support and SunSpectrum Gold™ support. See SunSpectrum support Service Listings for specific program deliverables and conditions.



## Warranty

The warranty period for the Sun Fire E2900 server is one year with next business day on-site response.

- Duration: One year
- Phone hours of coverage: M-F, 8AM-5PM
- Call-back response: 8 hours
- Hardware response time: next business day
- On-site hours of coverage: M-F, 8AM-5PM
- Delivery method: repair on-site
- Software installation and media support: 90 days

**Note:** Installation is not included within the warranty.

## SunSpectrum Instant Upgrades (SIU)

SunSpectrum Instant Upgrade is a simplified point-of-sale warranty upgrade program available to customers who want additional support for their computer hardware because they require services not offered by our standard warranty coverage and/or due to the mission critical nature of their IT environment. SIU allows customers to purchase SunSpectrum support at the point of hardware purchase. When customers purchase SIU at time of hardware sale, they increase their opportunity to optimize hardware availability and scalability by contracting for higher levels of support from day one of installation. There are three key features of the SIU program:

- Discountable list price
- Automated service quoting: when a hardware number is quoted, its service equivalent automatically appears on the quote
- Recommended levels of service are available based on type of hardware product

## Enterprise Installation Service (EIS) for the Sun Fire E2900 Server

It is highly recommended that customers purchase Sun's Enterprise Installation Services (EIS) for their Sun Fire E2900 system and receive comprehensive configuration and installation support to ensure that their system is optimized for stability and performance with the latest patches and updates.

The EIS services includes the following deliverables:

- Review of environment and installation needs
- Documentation of environmental status
- Planning of system setup requirements, resources
- Identification of risks
- Verification of pre-installation and configuration
- Performance testing
- Installation review



- System reference documentation

## **Sun RAS Profile**

Sun RAS (Reliability, Availability, Serviceability) Profile is designed to identify areas, based on best practices and industry standards, where the customers can improve the operational efficiency and increase the mission-critical reliability of their Sun system.

The Sun RAS Profile process involves comprehensive system assessment which leverages both Sun's unique knowledge bank of product configuration data and the expertise of Sun's senior engineers. Sun experts drill deeply into the configuration and potential operational and environmental issues that can affect the reliability, availability, and serviceability of a customer's Sun system. (Only available to customers with a SunSpectrum Gold or Platinum support contract.)

## **Online Support Center**

The Online Support Center (OSC) provides web-based solutions anytime, anywhere. Providing high-quality availability services has always been a top priority at Sun. As a pioneer in web-based customer solutions, Sun continues to utilize the power and versatility of the Internet to offer customers a broad variety of online service offerings.

The online answer/transaction process can save customers valuable time by eliminating the time spent waiting on the phone for a customer service representative. The Online Support Center empowers the user by offering anywhere, anytime access to web-based support, training, and consulting solutions for Sun hardware and software products. The site serves as a portal for proactive service offerings, systems support features, and resource links.

## **Sun Remote Services (SRS) Net Connect**

Sun Remote Services (SRS) Net Connect 3.x is a collection of services designed to help you better manage system assets, maximize system performance and facilitate services with Sun and Sun service partners. The base bundle of services included in SRS Net Connect include: system self-monitoring, event notification and alarms and comprehensive reporting. These base services are offered at no-cost and help to maximize system performance and prevent downtime issues as well as improve system management efficiencies.

## **Accredited Installation Provider Program (AIP)**

Enables qualified iForce partners to leverage Sun certification, methodologies, tools, and support to market and deliver installation services on Sun systems that include bundled installation. Accredited Installation Provider Program enables qualified iForce partners to leverage Sun certification, methodologies, tools, and support to market and deliver installation services on Sun systems that include bundled installation.

For more information on the above support offerings, please visit:

<http://www.sun.com/service/support>





# Chapter 14: Glossary

---

100BASE-T	See Fast Ethernet.
Adapter	A host bus adapter or interface which plugs into a PCI slot to provide connectivity, i.e. to networks, storage, graphics or other I/O devices.
ASR	Automatic System Recovery. A RAS feature that initiates a system reboot sequence that bypasses failed system components or a software failure.
Controller	A microprocessor based device which is dedicated to a specific task, esp. I/O and is embedded within a host-bus adapter or external (storage) array. The term 'controller' is often used synonymously with 'host-bus adapter.'
DIMM	Dual in-line memory module. A memory unit that is available in a range of capacities, such as 256 MB, 512 MB, or 1 GB.
DIMM group	A group of four DIMMs.
Processor/memory module	The basic component of processing capability for the Sun Fire E2900 server. Each module is comprised of exactly four UltraSPARC III microprocessors, a variable amount of memory depending upon the quantity and density of DIMMs selected, and the interconnect logic.
Fast Ethernet	IEEE standard for 100-Mb/second Ethernet. This technology supports a data transfer rate of 100 megabits per second over special grades of twisted-pair wiring.
Fault resilience	Capability of a system to mask many individual errors, but not all. This approach generally requires redundancy of some components and additional software. An example would be the dual path capability and automatic failover for storage and networks. Another term for 'high availability'.
Fault tolerance	Capability of a system to mask any individual point of failure. This type of system is typically implemented with redundancy of components and synchronization of clock signals to maintain each unit in 'lock step' with its counterpart.
FC-AL	Fiber Channel arbitrated loop. A loop topology used with fiber.
I2C	A bus used for environmental monitoring.
High availability	Capability of a system to mask many individual points of failure or to significantly compensate for them. This type of system is built upon standard components with limited hardware and/or software components to minimize the impact of failures. Generally, this type of system is less costly than a fault tolerant system.
Host-bus adapter	Please see Adapter.
Hot-plug	A component that can be electrically safe to remove or add while the system is still running. Typically, the system must be rebooted before the hot-plug component is configured.
Lights Out Management	Please see Remote System Control.
LOM	Lights Out Management. Please see Remote System Control.
Mirroring	Maintaining a redundant, logical copy of a disk volume for higher availability. Also known as volume shadowing or RAID 1.



NFS	Sun's distributed computing file system, i.e. network file system.
PCI	Peripheral component interconnect. An industry-standard for connecting peripherals such as disk drives, tape drives and other external devices.
Pre-configured System	Pre-configured systems that offer discounted prices in comparison to assemble-to-order (ATO) or custom configurations. It is also more convenient for both customers and sales as it assures that all necessary components for a functional system are included with a single line item on the order form.
PTO	Please see Pre-configured System.
RAID	Redundant array of independent disks. A set of disk drives that appear to be a single logical disk drive to an application such as a database or file system. Different RAID levels provide different capacity, performance, high availability, data protection and cost per unit of storage.
RAS	Reliability, availability, and serviceability. Three aspects of the design of a system contributing to continuous operation and minimizing system downtime for services. Together reliability, availability, and serviceability provide for near continuous system operation.
RSC	Remote System Control. A remote monitoring and administration feature that allows systems administrators to access the system console from any host on the network, sends e-mail or pager notice of system faults, and provides boot and run logs of system events.
Redundancy	Duplication for the purpose of achieving fault tolerance. Refers to duplication or addition of components.
Remote System Control	An independent processor which provides remote management and control of a system via a serial line, modem, or Ethernet connection.
SC	System Control. Please see Remote System Control.
SCSI	Small Computer Systems Interface. An ANSI standard for controlling peripheral devices by one or more host computers.
SSP	System Service Processor. Please see Remote System Control.
Standard Configuration	A subset of the Pre-configured Systems (PTOs) which offer accelerated delivery time.
V9	Version 9 of the SPARC™ definition.
Volume shadowing	See Mirroring.



# Chapter 15: Materials Abstract

All materials are available on SunWIN except where noted otherwise.

<i>Collateral</i>	<i>Description</i>	<i>Purpose</i>	<i>Distribution</i>	<i>Token # or COMAC Order #</i>
<b>Product Literature</b>				
<i>Sun Fire E2900 Server, Just The Facts</i>	Reference Guide (this document)	Training Sales Tool	SunWIN	401325
<i>Sun Fire V490-E25K Server Customer Presentation</i>	Customer Presentation	Sales Tool	SunWIN	450785
<i>Sun Fire E2900 Server Data Sheet</i>	Data Sheet	Sales Tool	SunWIN	401330
<i>Sun Fire E2900 Pocket Facts</i>	Cheat sheet	Training	SunWIN	401336
<i>Sun Fire E2900-E25K Server Technical Presentation</i>	Architecture Presentation	Training Sales Tool	SunWIN	401324
<i>Sun Fire E2900-E25K Servers Brochure</i>		Sales Tool	SunWIN	401343
<i>Sun Hardware At-A-Glance</i>		Sales Tool	SunWIN	401344
<i>Sun Fire E2900-E25K Servers iTour</i>		Sales Tool	SunWIN	401347
<i>Sun Fire E2900-E25K Family Poster</i>		Sales Tool	SunWIN	401348
<i>Capacity On Demand 2.0 Buyer's Guide</i>	User's reference guide	Sales Tool	SunWIN	426163
<i>Sun Fire Capacity on Demand (COD) 2.0 Customer Presentation</i>	Customer Presentation	Sales Tool	SunWIN	360903
<i>Sun Capacity on Demand 2.0 and Temporary Capacity on Demand Brochure</i>	Sales Tool	Sales Tool	SunWIN	388239
<b>Competitive Information</b>				
• Why Sun vs. Competitors Business Presentation			SunWIN	450766
• HP Beatsheet			SunWIN	450768
• Fujitsu Beatsheet			SunWIN	450770
• IBMBeatsheet			SunWIN	Coming Soon
• Why Sun vs IBM P5 One-Pager			SunWIN	443612
• Why Sun vs IBM P5 Presentation			SunWIN	443606
• Why Sun vs IBM P5 Overview (Customer w/ CDA)			SunWIN	452365
<b>White Papers</b>				



<b>Collateral</b>	<b>Description</b>	<b>Purpose</b>	<b>Distribution</b>	<b>Token # or COMAC Order #</b>
<i>Scaling Application Performance with Throughput Computing – Sun Fire E2900-E25K Servers and the UltraSPARC IV Processor White Paper</i>	White paper	Sales Tool	SunWIN	401329
<b>External Web Sites</b>				
<i>General Information on the Sun Fire E2900 Server</i>	<a href="http://www.sun.com/servers/midrange/sunfire_e2900/">http://www.sun.com/servers/midrange/sunfire_e2900/</a>			
<i>Information on Sun's Investment Protection Solutions</i>	<a href="http://www.sun.com/ibb/upgrades/index.html">http://www.sun.com/ibb/upgrades/index.html</a>			
<i>Sun Fire Enterprise Servers Capacity On Demand Program</i>	<a href="http://www.sun.com/datacenter/cod/">http://www.sun.com/datacenter/cod/</a>			
<b>Internal Web Sites</b>				
<i>Information on upgrading to Sun Fire E2900 Server - Workgroup Servers Migration and Allowance Matrix</i>	<a href="http://ibb.eng/upgrades/">http://ibb.eng/upgrades/</a>			
<i>Server Consolidation Upgrade Program</i>	<a href="http://ibb.eng/upgrades/">http://ibb.eng/upgrades/</a>			
<i>Sun Fire Enterprise Servers Capacity On Demand Program</i>	<a href="http://systems.corp/programs/datacenter/cod/">http://systems.corp/programs/datacenter/cod/</a>			



# Chapter 16: Change Log

---

15 November 2004: Added Capacity On Demand information under System Management on page 56, under Ordering Information on page 61, under the CRS Program on page 67, and under Materials Abstract page 81.

15 November 2004: Updated Power Cord information on page 66.

15 November 2004: Updated System Controller information with Secure Shell feature on page 25.

15 November 2004: Updated System Configuration Card information on page 29.

5 January 2005: Updated to include 1.35GHz CPU information, various corrections & updates.

13 September 2005: Updated to include UltraSPARC IV+ 1.5GHz information, various corrections and updates.

11 November 2005: Updated to include ATO availability and new PCI+ configurations.

15 August 2006: Updated to include UltraSPARC IV+ 1.8GHz information, PCI-X, 2GB DIMMs, RoHS-5 compliant marketing p/ns, various corrections and updates.

03 April 2007: Updated to include UltraSPARC IV+ 1.95GHz information

17 July 2007: Updated to include Japan and Israel power cord marketing part numbers on page 66.

15 August 2007: Added Competitive Information section.

11 September 2007: Updated to include UltraSPARC IV+ 1.95GHz for power upgrade kit.

