

Sun StorEdge™ L100 Tape Library Unpacking Instructions

Introduction	3
Removing the Library from the Shipping Carton	3
Removing the Remaining Packing Materials	10
Installing the Redundant Power Supply Modules	21
Checking the Contents	22

Introduction

This document explains how to unpack the Sun StorEdge™ L100 tape library, hereafter referred to as the L100.

The unpacking procedure consists of the following major steps:

- Removing the library from the shipping carton
- Removing the remaining packing materials
- Checking the contents

Removing the Library from the Shipping Carton

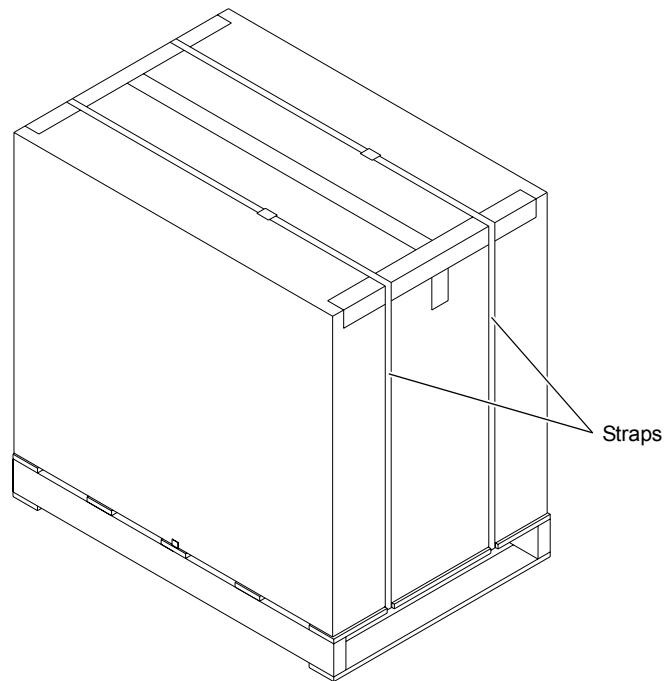
To unpack the library:

- 1 The following tools are required for this operation:
 - Scissors
 - Flat blade screwdriver
 - No. 1 POZIDRIV® screwdriver
 - T-20 TORX® screwdriver
 - Antistatic wrist strap
- 2 Place the shipping carton and pallet as close to the installation site as possible.

- 3 Carefully cut the two plastic straps securing the shipping carton to the pallet (see [figure 1](#)).

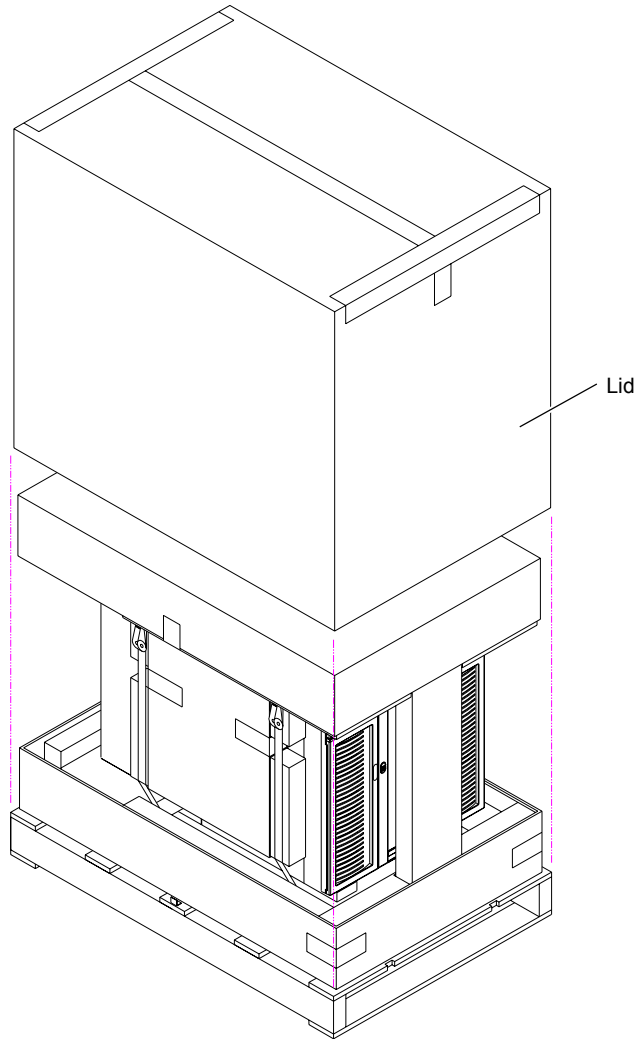
Caution: The straps are under tension and snap away when cut.

Figure 1 Removing the Plastic Straps



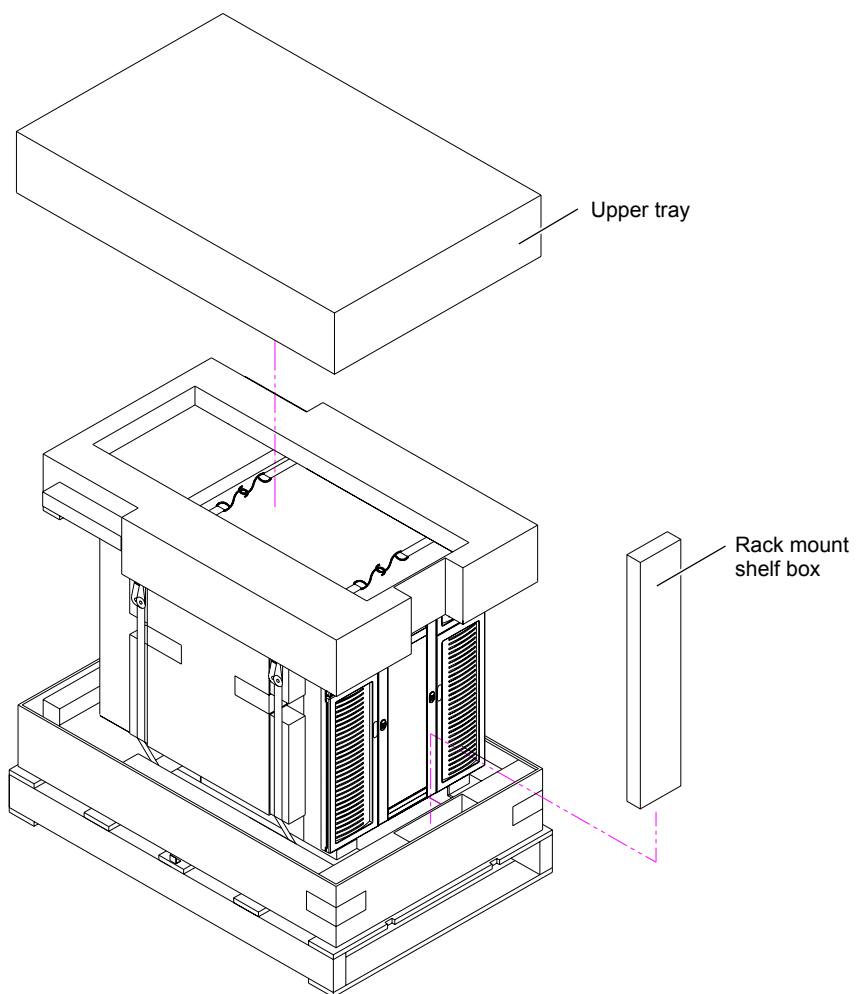
- 4 Lift the lid off of the shipping carton (see [figure 2](#)).

Figure 2 Removing the Lid
from the Shipping Carton



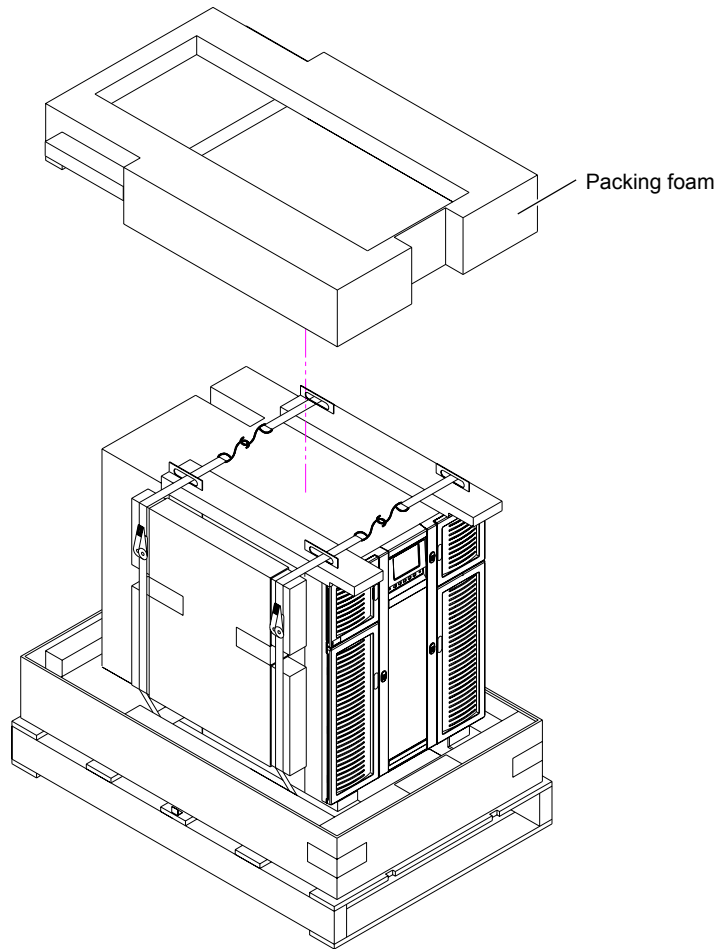
- 5 Cut the adhesive tape securing the upper tray and lift it off (see [figure 3](#)).
- 6 Remove the rack mount shelf box and set it aside (see [figure 3](#)).

Figure 3 Removing the
Upper Tray and the Rack
Mount Shelf Box



- 7 Remove the packing foam from the top of the library and set them aside (see [figure 4](#)).

Figure 4 Removing the Packing Foam



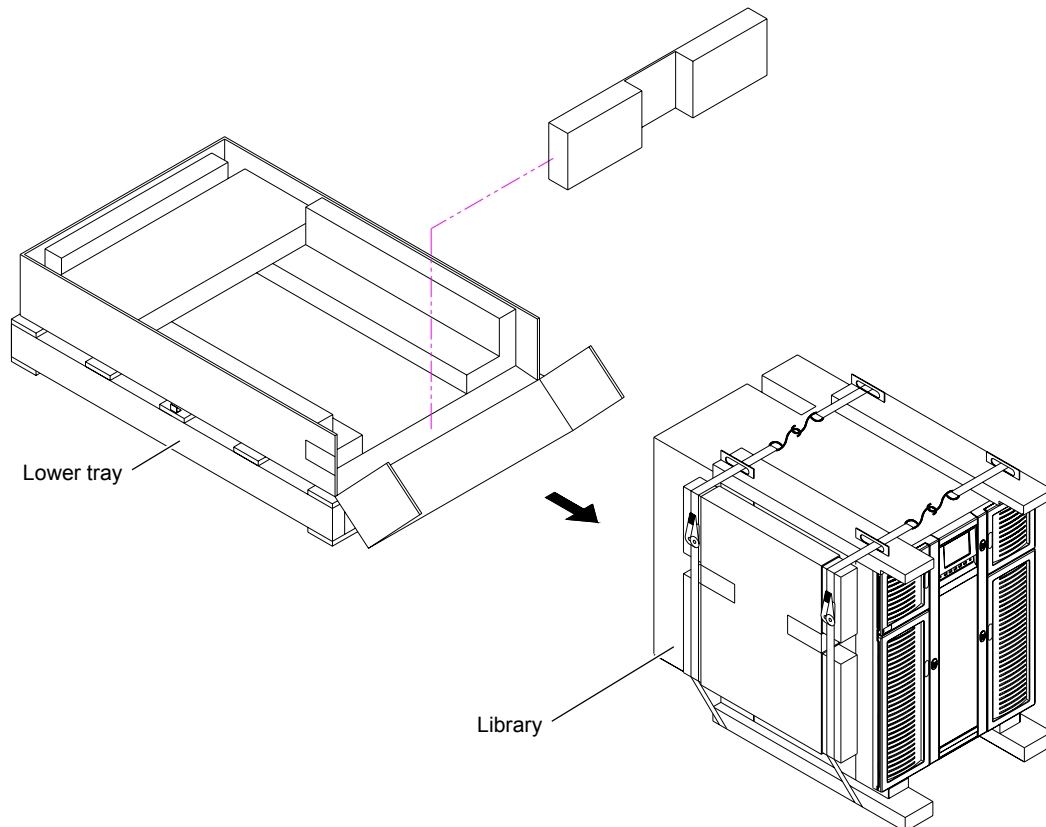
- 8 Fold down the front of the lower tray and remove the front packaging piece from the lower cushion assembly (see [figure 5](#)).

Warning: The library weighs approximately 162 lbs (74 kg). At least two people are required to lift and install the library.

Caution: Lift the library by its sides, not by the front bezel.

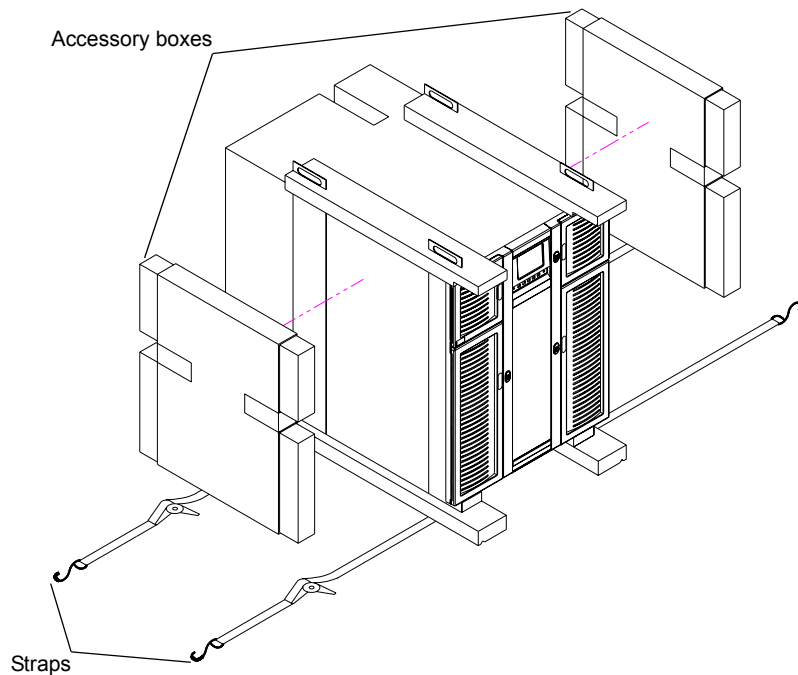
- 9 With the help of another person, remove the library from the pallet and place it on a level surface (see [figure 5](#)).

Figure 5 Removing the Library from the Pallet



- 10 Remove the straps securing the shipping panels to the sides of the library (see [figure 6](#)):
 - a Pull down on the strap tension ratchets to loosen the straps.
 - b At the top of the library, unhook the straps.
- 11 Remove the accessory boxes from the sides of the library and set them aside (see [figure 6](#)).

Figure 6 Removing the Straps and Accessory Boxes

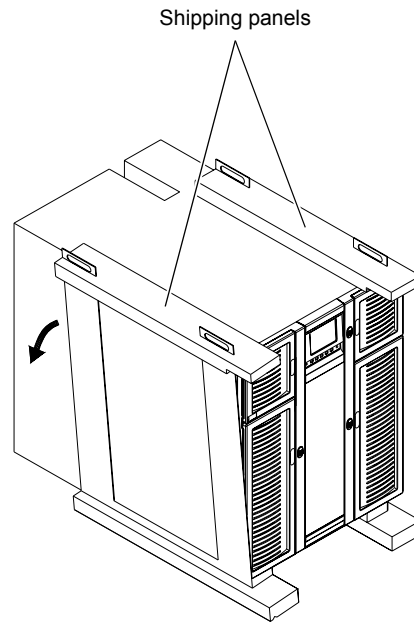


- 12 Remove the shipping panels from the library (see [figure 7](#)):
 - a With the help of another person, tilt the library to the left slightly so that the right side of the library lifts up from the ground approximately 1 in. (25 mm).
 - b Grip the top of the right shipping panel and pull it away from the library.

The bottom of the panel disconnects from the bottom of the library.

- c Set the panel aside.
- d Repeat steps [12a](#) through [12c](#) on the other side to remove the left shipping panel.

Figure 7 Removing the Shipping Panels



Removing the Remaining Packing Materials

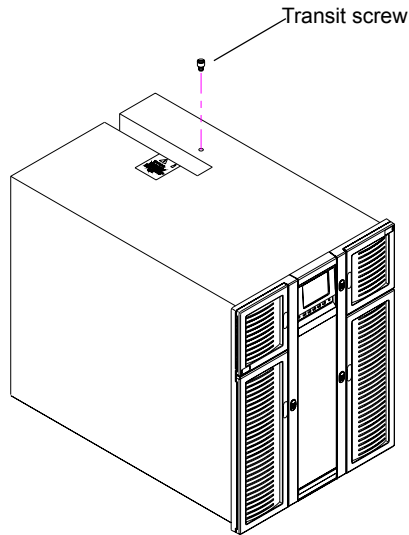
Now that you have removed the library from its shipping carton, remove the remaining packing materials from the library:

- 1 Remove the transit screw from the top of the library and set it aside (see [figure 8](#)).

Later in this procedure you will place the transit screw in a storage location within the library in case it is needed for future repackaging and shipment of the library.

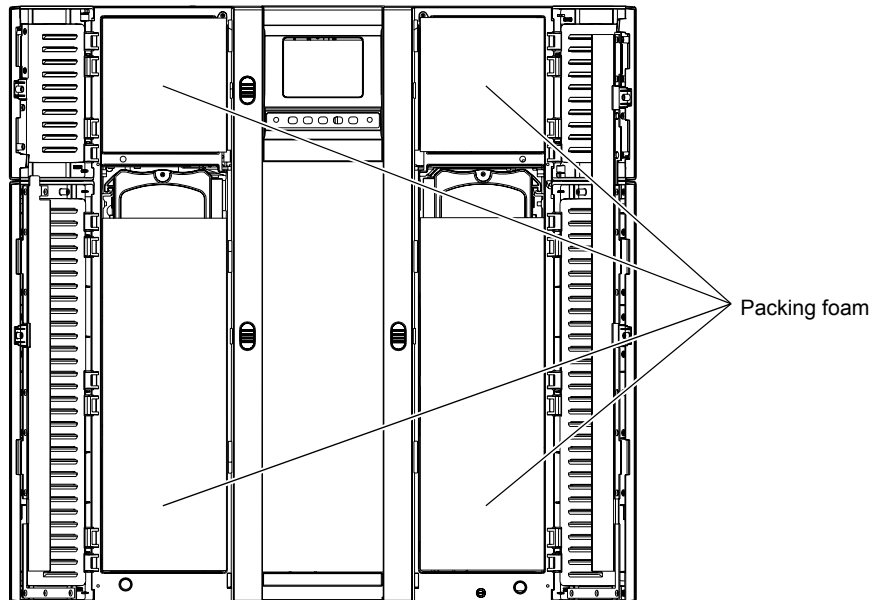
Caution: The transit screw secures the library robotics. Do not try to move the library robotics unless this screw and the two transit screws securing the X-Y tray (removed later during this procedure) have been removed; moving the robotics with the transit screws in place can cause serious damage to the library.

Figure 8 Removing the
Transit Screw



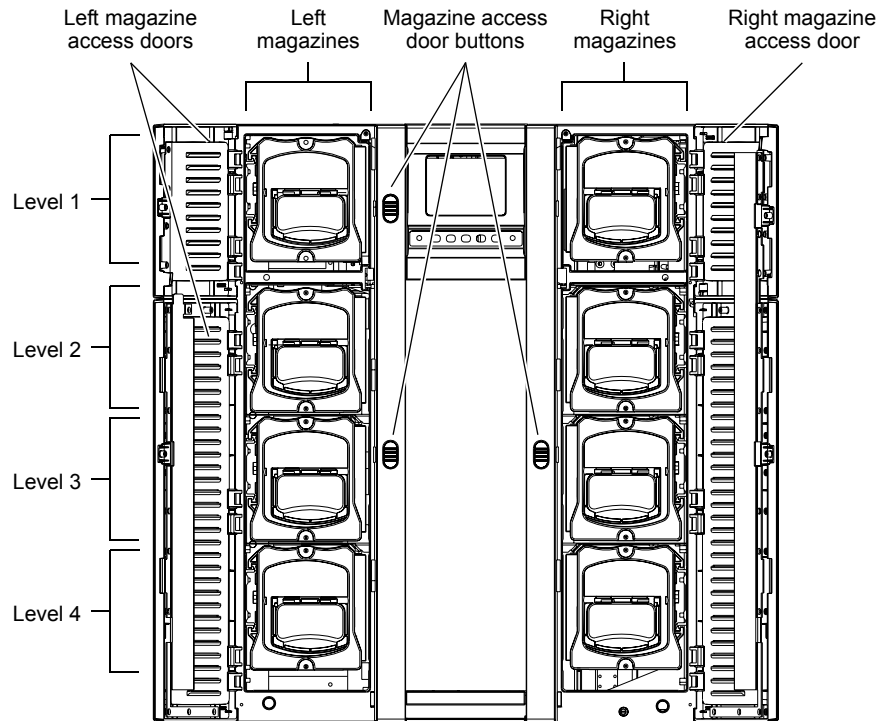
- 2 Put on an antistatic wrist strap and clip it to the antistatic stud on the back of the library.
- 3 Press the buttons next to the three magazine access doors and open the doors.
- 4 Remove the four pieces of packing foam from the front of the magazines (see [figure 9](#)).

Figure 9 Removing the
Magazine Packing Foam



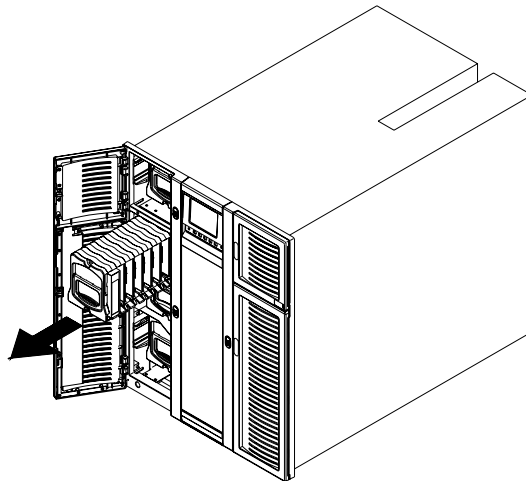
Note: Library levels are numbered from top to bottom. The top magazines in the library are at level 1; the bottom magazines are at level 4.

Figure 10 Magazine
Access Door Buttons



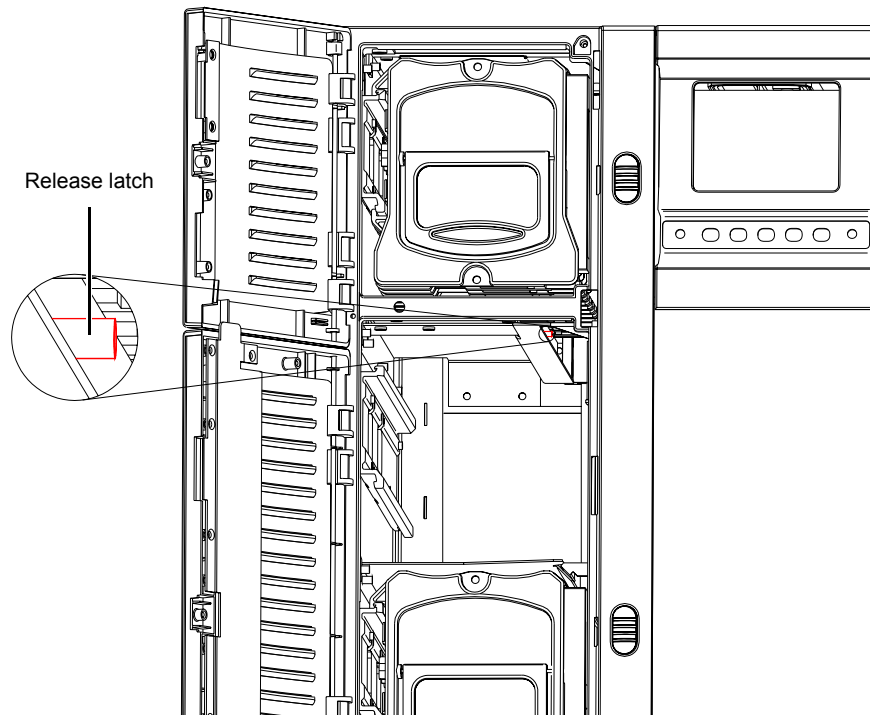
- 5 Remove the level 1 left magazine:
 - a Grasping the handle at the front of the level 1 left magazine, pull it forward until it stops.
 - b If the magazine stops after the first slot, perform steps [5c](#) through [5e](#) to release it.
 - c Remove the level 2 left magazine (see [figure 11](#)).

Figure 11 Removing the
Level 2 Left Magazine



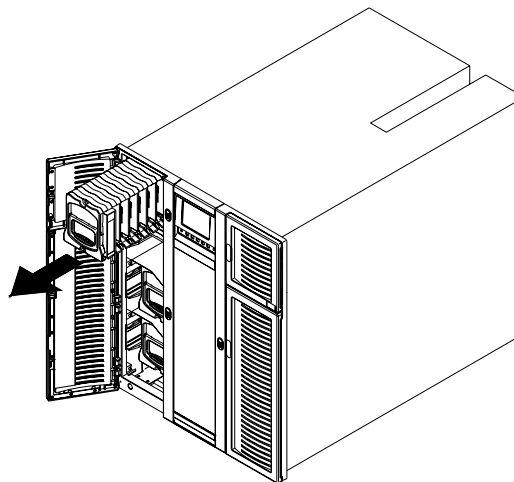
- d Reach into the library underneath the level 1 left magazine and pull down on the release latch (see [figure 12](#)).

Figure 12 Release Latch



- e While holding the release latch, pull the level 1 left magazine forward and out of the library (see [figure 13](#)).

Figure 13 Removing the Level 1 Left Magazine

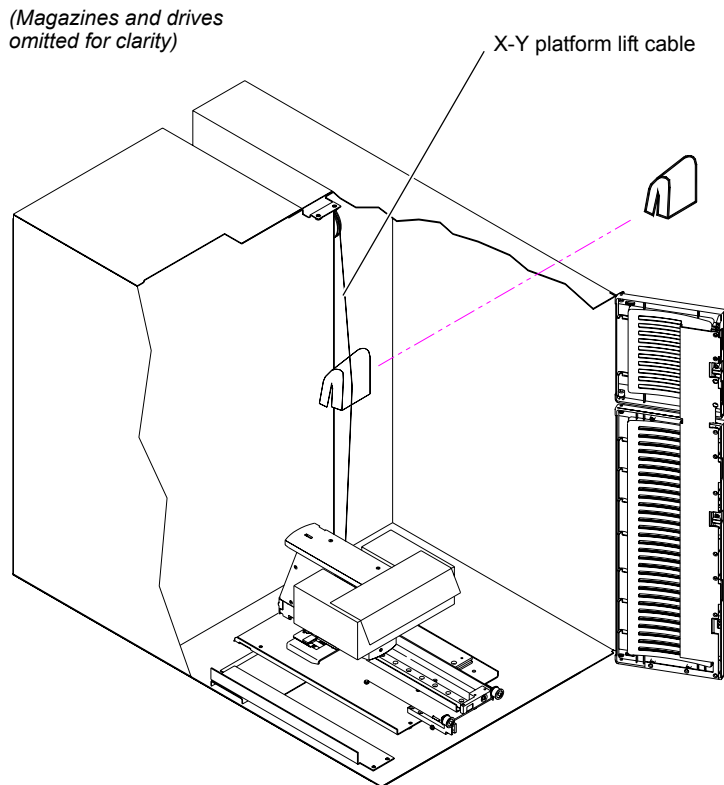


- 6 Remove all remaining magazines by grasping the handle at the front of each magazine and sliding it forward and out of the library.

Caution: When reaching into the library through the magazine access doors, be careful not to exert pressure on the magazine shelves. Excessive pressure may bend the shelves.

- 7 Remove the pad from the X-Y platform lift cable (see [figure 14](#)):
 - a With your right hand, reach into the library through the empty level 2 right magazine slot and gently pull the X-Y platform lift cable towards you.
 - b With your left hand, reach into the library through the empty level 2 left magazine slot, remove the foam pad from the cable, and pull it out of the library.
 - c Release the X-Y platform lift cable.

Figure 14 Removing the Foam Pad from the X-Y Platform Lift Cable

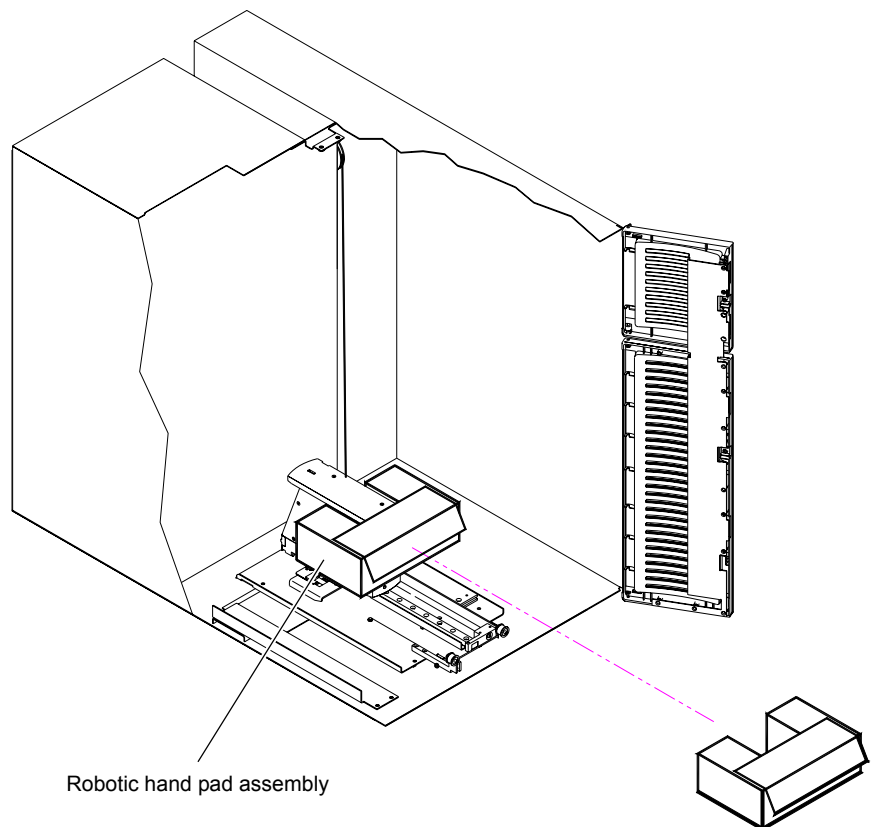


- 8 Remove the robotic hand pad assembly:
 - a Reach through the open right magazine access door and to the left. Grip the steel flange on the “Y” slide and push it toward the back of the library.

Caution: Avoid touching the printed circuit board and its ribbon cable connector.

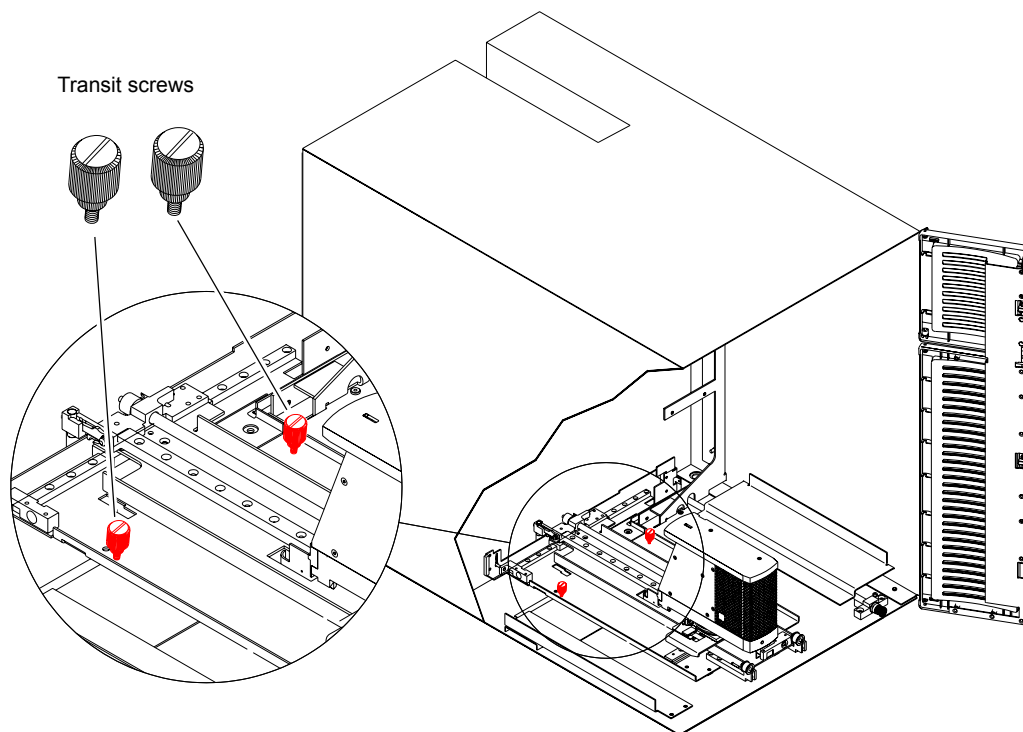
- b Gripping the lower edge of the cardboard flap on the robotic hand, pull the pad assembly off of the robotic hand and remove it from the library (see [figure 15](#)).

Figure 15 Removing the Robotic Hand Pad Assembly



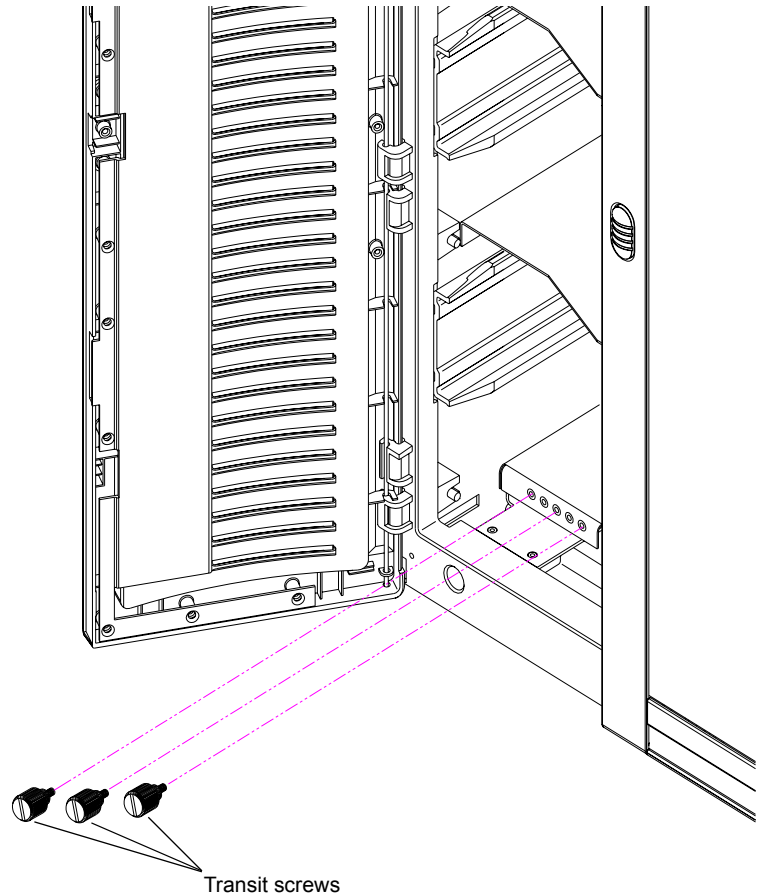
- 9 Using a flat blade screwdriver, remove the two transit screws securing the back of the X-Y tray to the floor of the library (see [figure 16](#)).

Figure 16 Removing the
Transit Screws Securing
the X-Y Tray



- 10 Place the transit screw (which you removed in [step 1](#)) and the X-Y transit screws (which you removed in [step 9](#)) in their storage locations at the base of the level 4 left magazine slot (see [figure 17](#)).

Figure 17 Storing the
Transit Screws



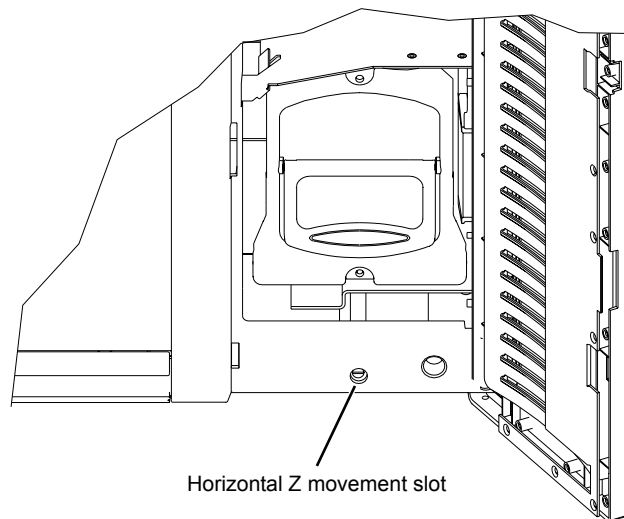
- 11 If the library will be installed in a rack with a StackLink mechanism, remove the StackLink cover plate from the library.

Caution: Do not remove the StackLink cover plate if the library will be used as a stand-alone unit.

- a Insert a flat blade screwdriver into the horizontal Z movement slot and turn the screw counterclockwise to raise the Z tray to level 1 (see [figure 18](#)).

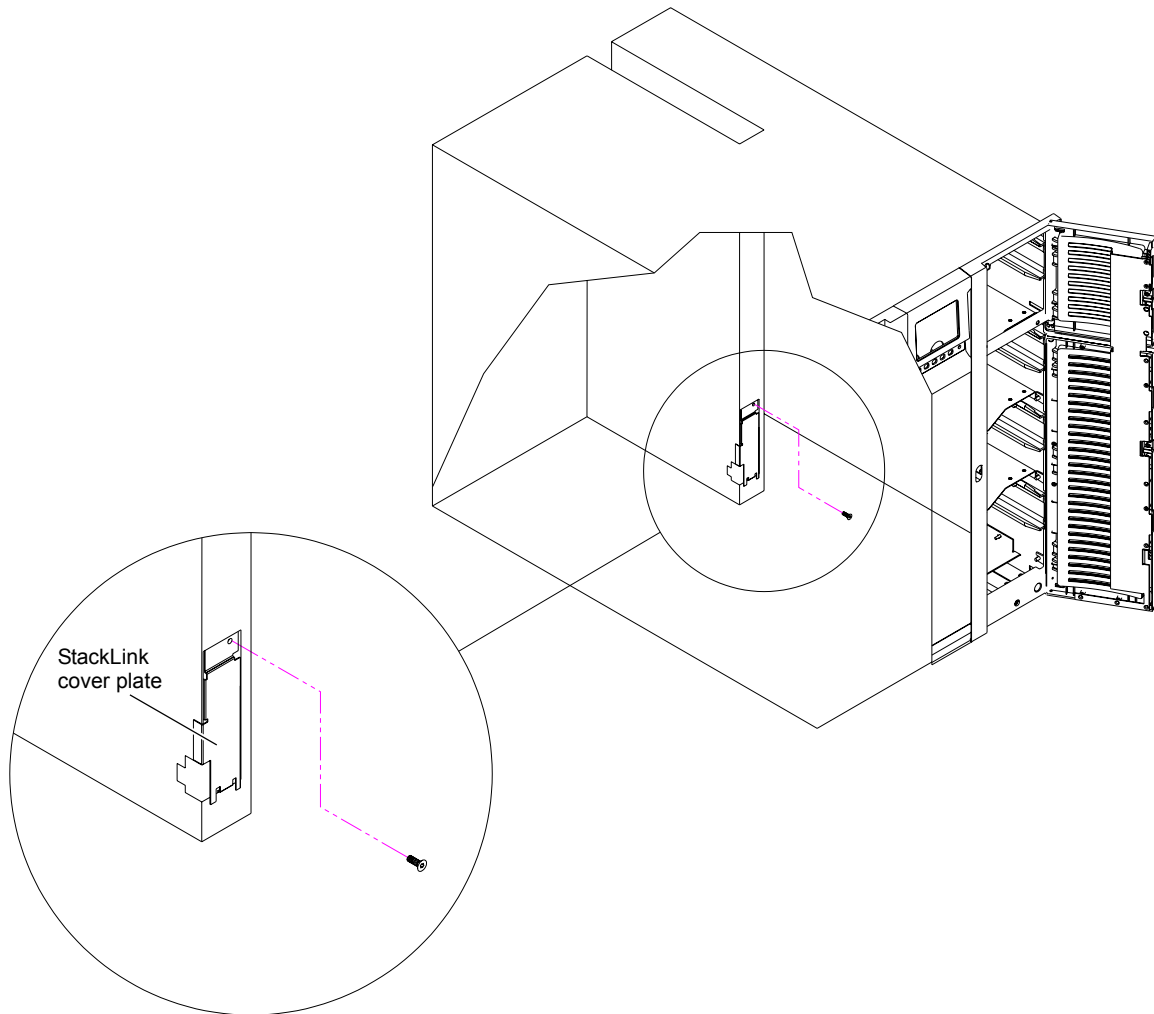
Caution: Do not raise the Z tray manually; this can result in a belt jump.

Figure 18 Raising the Z Tray



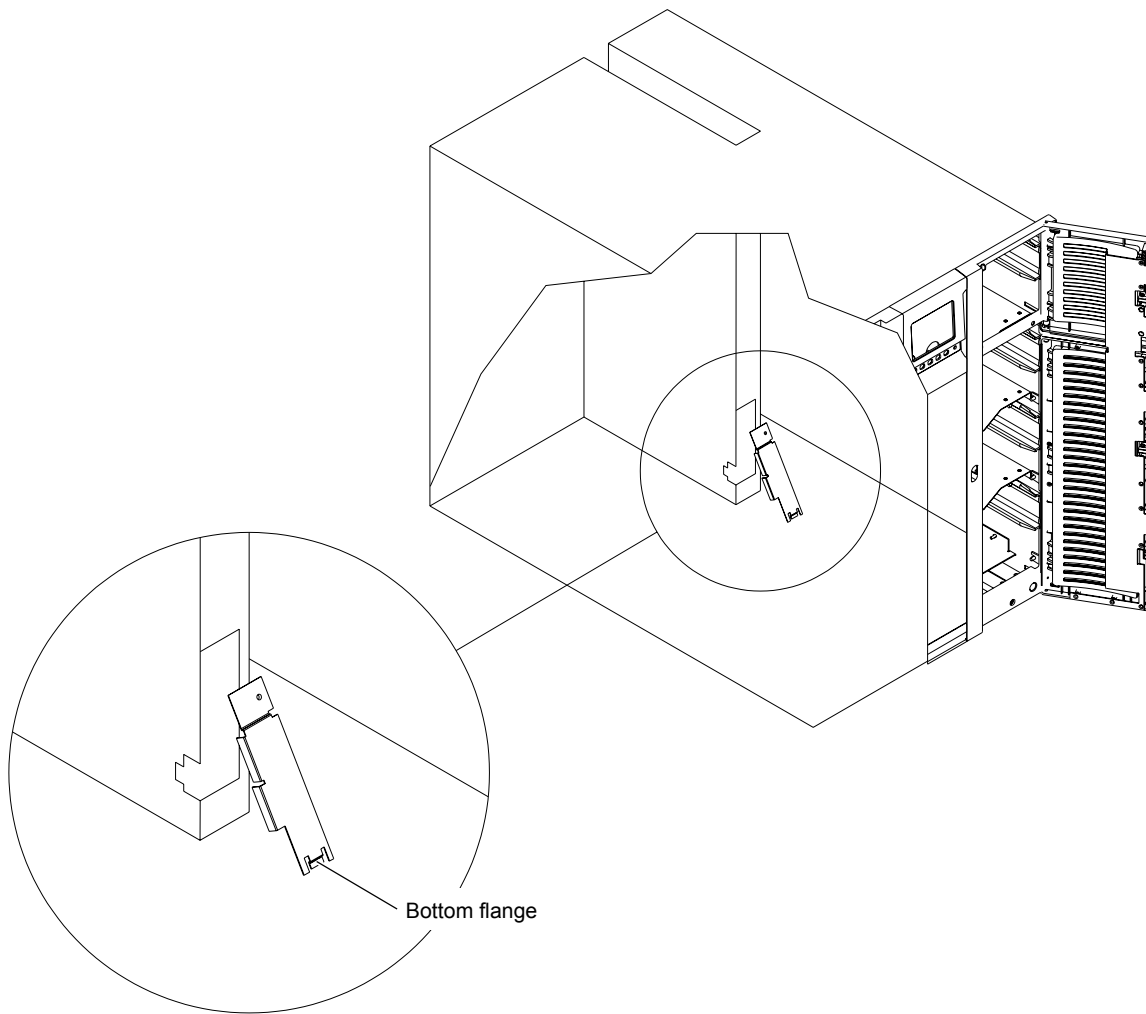
- b** Reaching into the library through the bottom right magazine location, use a T-20 TORX screwdriver to remove the screw at the top right corner of the StackLink cover plate (see [figure 19](#)).

Figure 19 Removing the Screw Securing the StackLink Cover Plate



- c Lift the cover plate up to disengage the bottom flange of the cover plate from the bottom edge of the StackLink opening (see [figure 20](#)).
- d Remove the cover plate from the library.

Figure 20 Removing the StackLink Cover Plate



- 12 Carefully check the library for any foam debris. If any debris is present, remove it.
- 13 Replace all of the magazines.
- 14 Close the magazine access doors.

Installing the Redundant Power Supply Modules

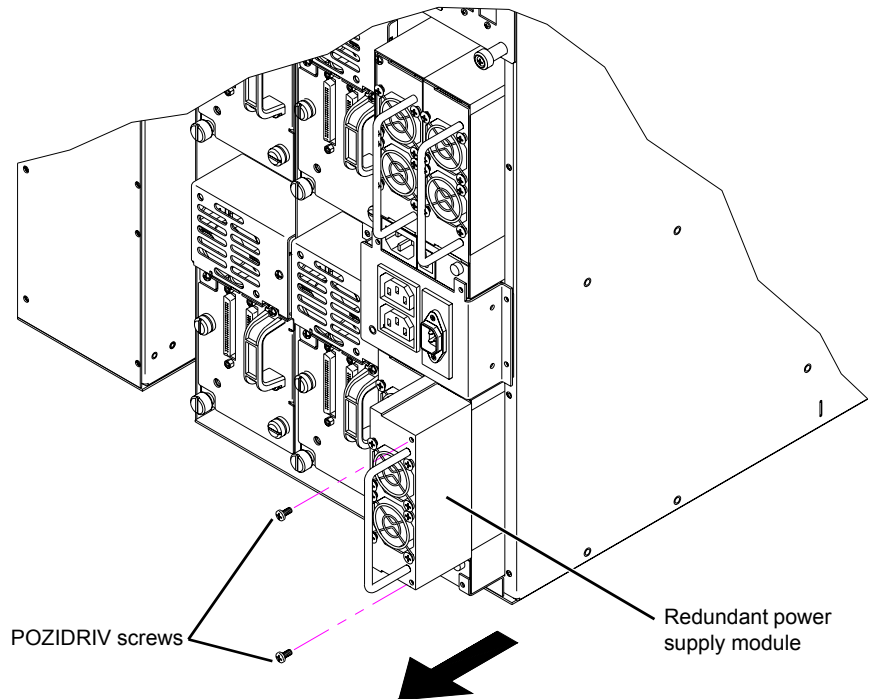
Now that the library is unpacked, perform these steps to install the redundant power supply modules in the library:

- 1 Unpack the redundant power supply modules.

These modules are in the accessory boxes you removed from the sides of the library (see [figure 7](#) on page 10).

- 2 Remove the two POZIDRIV screws from each empty slot in the power supply casing (see [figure 21](#)).
- 3 Slide a redundant power supply module into an empty slot in the power supply casing until it seats into the connector on the distribution board (see [figure 21](#)).
- 4 Secure the redundant power supply module to the casing using the two POZIDRIV screws you removed in [step 2](#) (see [figure 21](#)).
- 5 Repeat steps [3](#) through [4](#) to install the remaining redundant power supply modules.

Figure 21 Installing a Redundant Power Supply Module



The library is now ready to be installed in its final location. Refer to the *Sun StorEdge™ L25 Tape Library and Sun StorEdge™ L100 Tape Library Installation Guide* (6423015) for installation instructions.

Checking the Contents

Compare the contents of the shipping carton and the accessories kit with the items listed on the label on the outside of the shipping carton. If any items are missing or damaged, contact your authorized reseller.

Note: The tape drives are sent separately from the library.
--

Made in the USA.

Quantum Corporation provides this publication “as is” without warranty of any kind, either express or implied, including but not limited to the implied warranties of merchantability or fitness for a particular purpose. Quantum Corporation may revise this publication from time to time without notice.

COPYRIGHT STATEMENT

© Copyright 2003 by Quantum Corporation. All rights reserved.

Your right to copy this document is limited by copyright law. Making copies or adaptations without prior written authorization of Quantum Corporation is prohibited by law and constitutes a punishable violation of the law.

TRADEMARK STATEMENT

StackLink is a trademark of Quantum Corporation.

Sun StorEdge™ L100 Tape Library is a trademark of Sun Microsystems, Inc.

Other trademarks may be mentioned herein which belong to other companies.