

Sun StorEdge™ L25 Tape Library Unpacking Instructions

Introduction	3
Removing the Library from the Shipping Carton	3
Removing the Remaining Packing Materials	5
Checking the Contents	10

Introduction

This document explains how to unpack the Sun StorEdge™ L25 Tape Library (hereafter referred to as the L25). The unpacking procedure consists of the following major steps:

- Removing the library from the shipping carton
- Removing the remaining packing materials
- Checking the contents

Removing the Library from the Shipping Carton

To unpack the library:

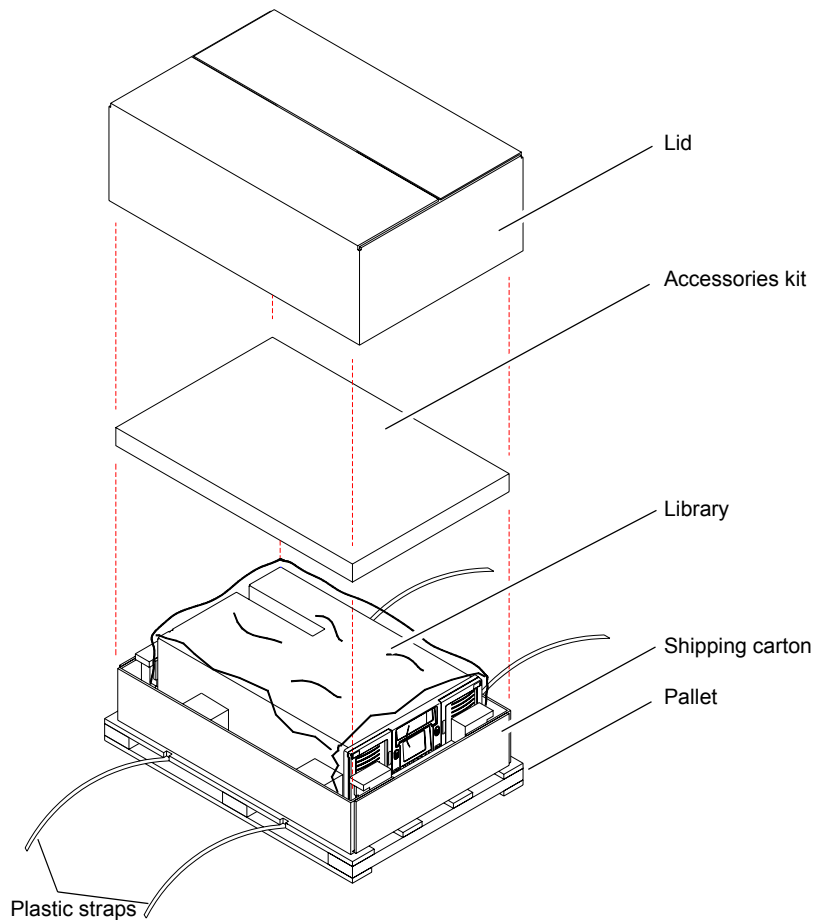
Note: Be careful not to damage the packaging materials while unpacking the library. Save all packaging materials for possible future use.

- 1 The following tools are required for this operation:
 - Scissors
 - No. 2 POZIDRIV® screwdriver, long (10 in. or 250 mm minimum)
 - Antistatic wrist strap
- 2 Place the shipping carton and pallet as close to the installation site as possible.

Warning: The shipping carton is secured to the pallet by two plastic straps. The straps are under tension and snap away when cut.

- 3 Using the scissors, carefully cut the two plastic straps securing the shipping carton to the pallet (see [figure 1](#)).
- 4 Lift the lid off of the shipping carton.

Figure 1 Removing the Library from the Shipping Carton



- 5 Remove the accessories kit and set it aside.
- 6 With the help of a second person, lift the library up and out of the shipping carton.

Warning: The library weighs 54 lbs (24.5 kg). At least two people are required to move the library.

Caution: Lift the library by its sides, not by the front bezel.

- 7 Place the wrapped library on a table or desk.

Removing the Remaining Packing Materials

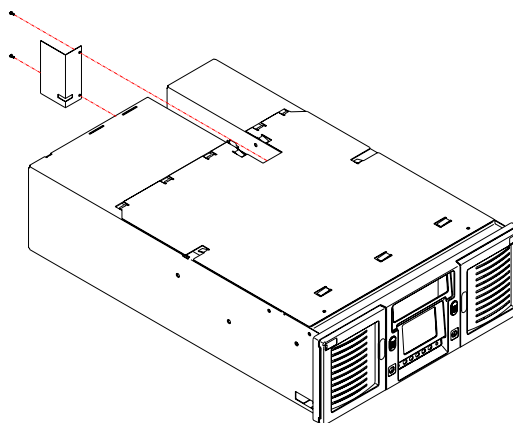
Now that you have removed the library from its shipping carton, remove the remaining packing materials from the library:

- 1 Remove the antistatic sheet from the library as follows:
 - a Cut the tape strips securing the sheet.
 - b Fold the sheet down.
 - c With the help of a second person, lift the library up off of the antistatic sheet.
 - d Place the library on the table or desk next to the antistatic sheet.Save the antistatic sheet for possible future use.
- 2 At the back of the library, remove the handle protection pad.

Caution: The library is equipped with a StackLink cover plate. Do not remove the StackLink cover plate if the library is a stand-alone unit.

- 3 If the library will be installed in a rack with a StackLink mechanism, remove the StackLink cover plate from the back of the library using a no. 2 POZIDRIV screwdriver (10 in. or 250 mm long) (see [figure 2](#)).

Figure 2 Removing the Cover Plate

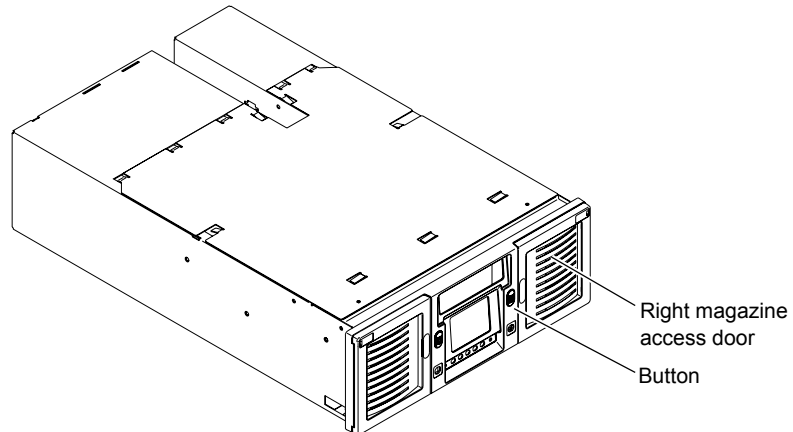


- 4 Put on an antistatic wrist strap and clip it to the antistatic stud on the back of the library (near the power supply).

- 5 Push the button next to the right magazine access door (see [figure 3](#)).

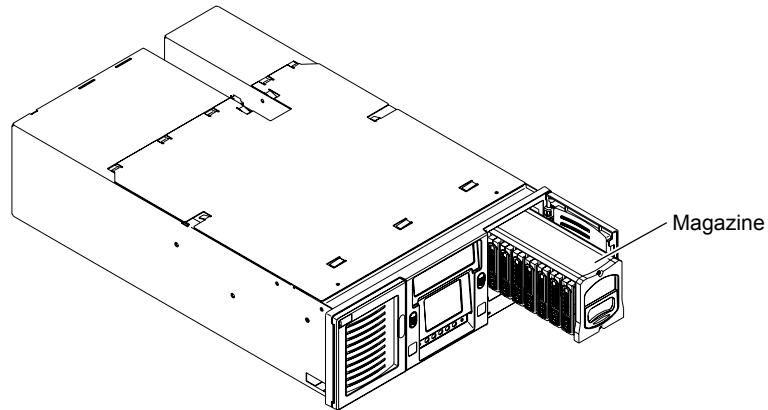
The right magazine access door opens.

Figure 3 Opening the
Right Magazine Access
Door



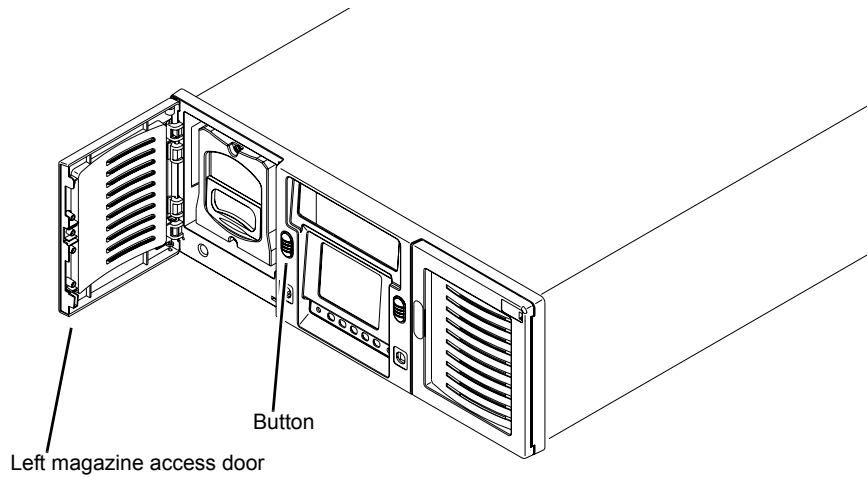
- 6 Grasping the handle at the front of the magazine, slide it forward and out of the library (see [figure 4](#)).

Figure 4 Removing the
Magazine



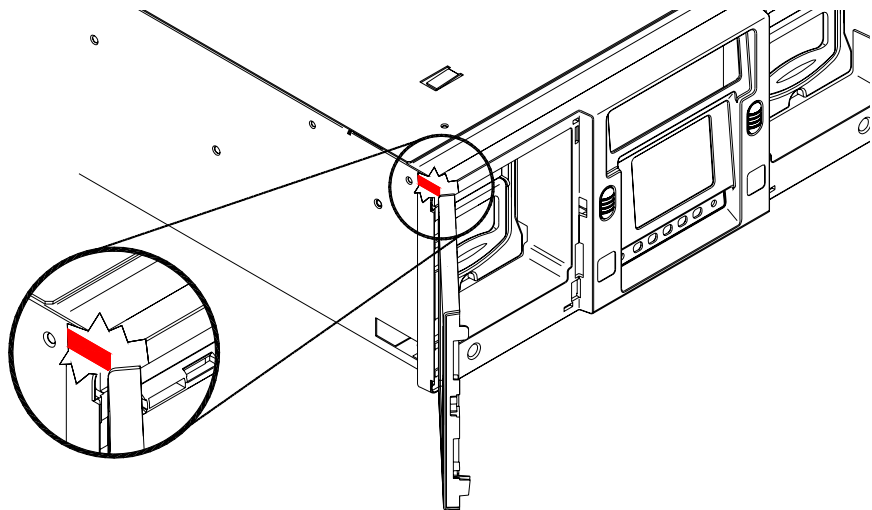
- 7 Push the button next to the left magazine access door (see [figure 5](#)).
- The left magazine access door opens.

Figure 5 Opening the Left Magazine Access Door



- 8 Using a slender object such as a pen, press and hold the magazine release button (see [figure 6](#)).

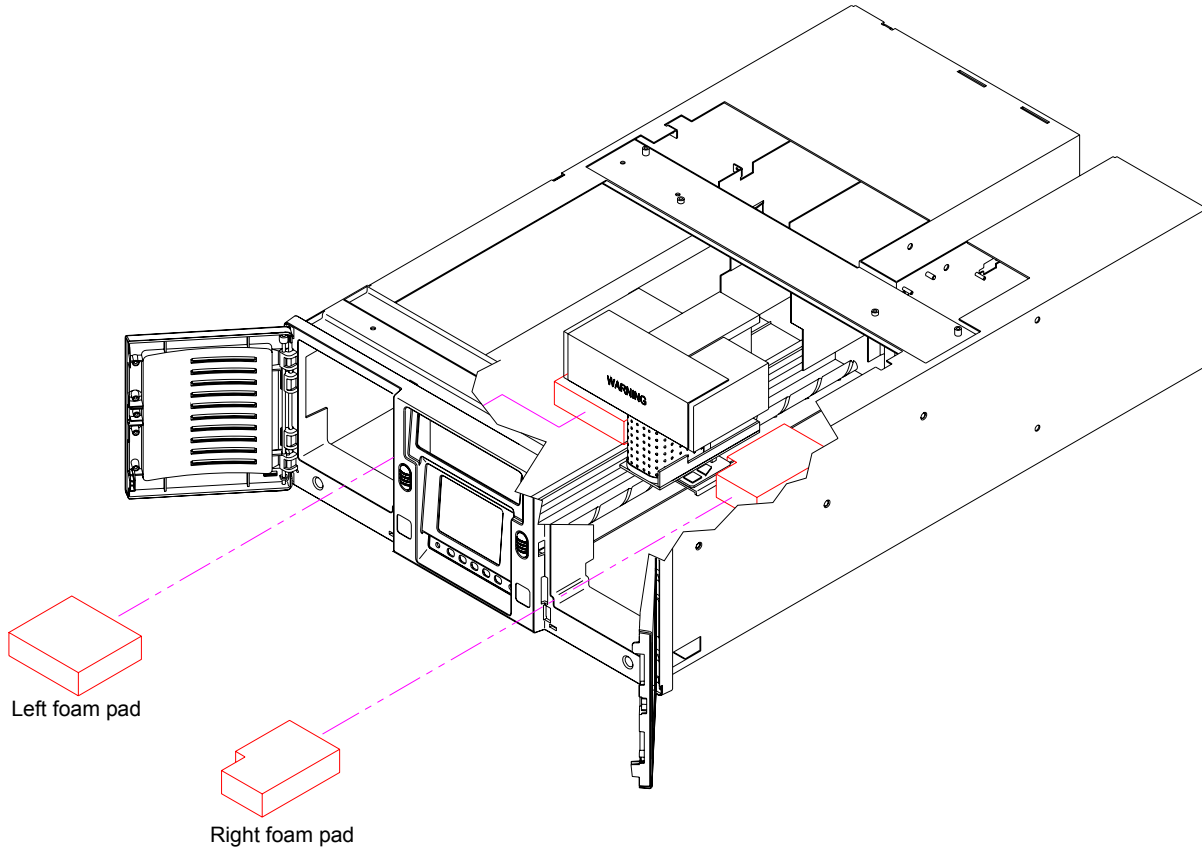
Figure 6 Magazine Release Button, Left Side Only



- 9 Grasping the handle at the front of the left magazine, slide it forward and out of the library.
- 10 Use the following steps to remove the two foam pads that stabilize and support the X-Y tray inside the library (see [figure 7](#)):
 - a Grasp the tape that secures each foam pad.
 - b Lift the tape and foam pad up and pull towards the door.

Caution: Avoid touching the printed circuit board and its ribbon cable connector. Do not move or remove the foam pad on the robotic hand until instructed to do so (this occurs during step [13](#)).

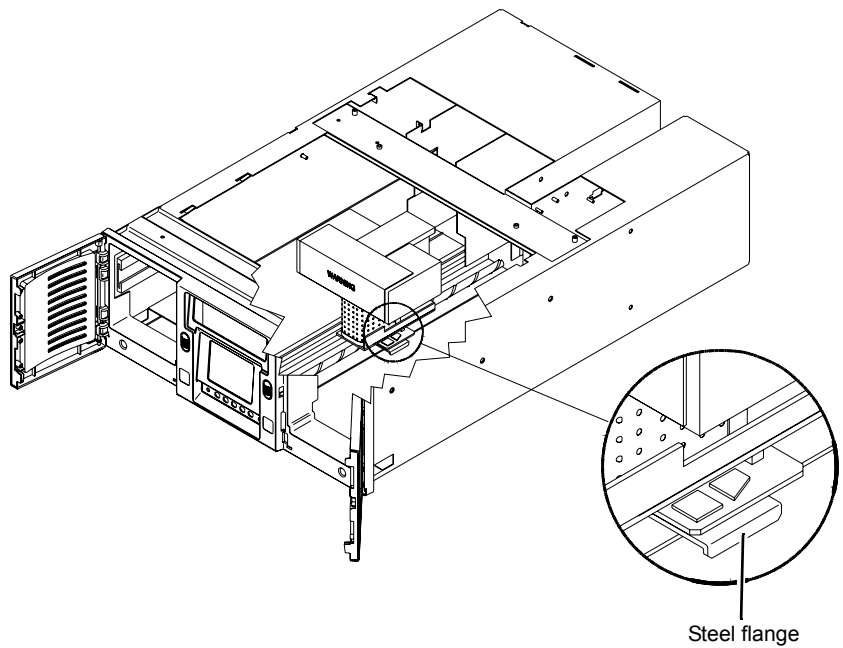
Figure 7 Removing the
Foam Pads that Support
the X-Y Tray



- 11 Move the robotic hand to the back of the library by reaching through the right magazine access door. Grip the steel flange on the "Y" slide (see [figure 8](#)) and push the robotic hand to the back of the library.

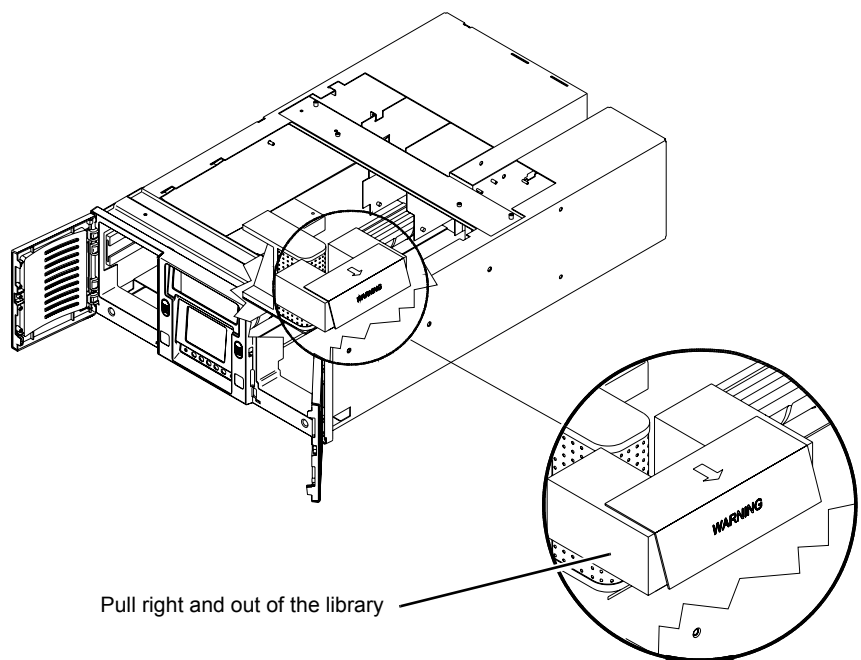
Caution: Avoid touching the printed circuit board and its ribbon cable connector.

Figure 8 Pushing the Robotic Hand toward the Back of the Library



- 12 Being careful to touch only the foam pad on the robotic hand, gently rotate the robotic hand 90° counterclockwise until it reaches its limit.
- 13 Gripping the lower edge of the foam pad, pull to the right and remove it off the robotic hand and out from the library (see [figure 9](#)).

Figure 9 Removing the Foam Pad from the Robotic Hand



- 14 Replace the left and right magazines.
- 15 Close the magazine access doors.

The library is now unpacked and ready to be installed in its final location. Refer to the *Sun StorEdge L25 Tape Library and Sun StorEdge L100 Tape Library Installation Guide (6423015)* for installation instructions.

Checking the Contents

Compare the contents of the shipping carton and the accessories kit with the items listed on the label on the outside of the shipping carton. If any items are missing or damaged, contact your authorized reseller.

<p>Note: The tape drives and media are sent separately from the library.</p>

Made in the USA.

Quantum Corporation provides this publication "as is" without warranty of any kind, either express or implied, including but not limited to the implied warranties of merchantability or fitness for a particular purpose. Quantum Corporation may revise this publication from time to time without notice.

COPYRIGHT STATEMENT

© Copyright 2003 by Quantum Corporation. All rights reserved.

Your right to copy this document is limited by copyright law. Making copies or adaptations without prior written authorization of Quantum Corporation is prohibited by law and constitutes a punishable violation of the law.

TRADEMARK STATEMENT

StackLink is a trademark of Quantum Corporation.

Sun StorEdge™ L25 Tape Library is a trademark of Sun Microsystems, Inc.

Other trademarks may be mentioned herein which belong to other companies.