

StorEdge™ L8

Barcode Reader Instructions



Copyright Notice

© 2003 Sun Microsystems, Inc.

The information contained in this document is subject to change without notice.

This document contains proprietary information which is protected by copyright. All rights are reserved. No part of this document may be photocopied, reproduced, or translated to another language without prior written consent of Sun.

Sun shall not be liable for errors contained herein or for incidental or consequential damages (including lost profits) in connection with the furnishing, performance or use of this material whether based on warranty, contract, or other legal theory.

Sun, Sun Microsystems, and StorEdge are trademarks of Sun Microsystems Inc. All trademarks within this document are the property of their respective owners.

Published: January 2003

Part No.: 6-00525-01

Contents

Barcode Reader Instructions	1
Barcode Reader Kit Hardware	1
Tools required	1
Installing a Barcode Reader	1
Configuring the Barcode Reader	3
Applying Barcode Labels to Cartridges	3
Removing a Barcode Reader	3

Barcode Reader Instructions

A barcode reader enables your StorEdge™ L8 autoloader to read tape cartridge information contained in barcode labels attached to data cartridges. This barcode information becomes part of the application software's library cartridge inventory.

Barcode Reader Kit Hardware

Table 1 shows the hardware provided with the Barcode Reader Kit.

Table 1 Barcode Reader Kit components

Description	Quantity
Barcode reader	1
Barcode label sheet	1

Tools required

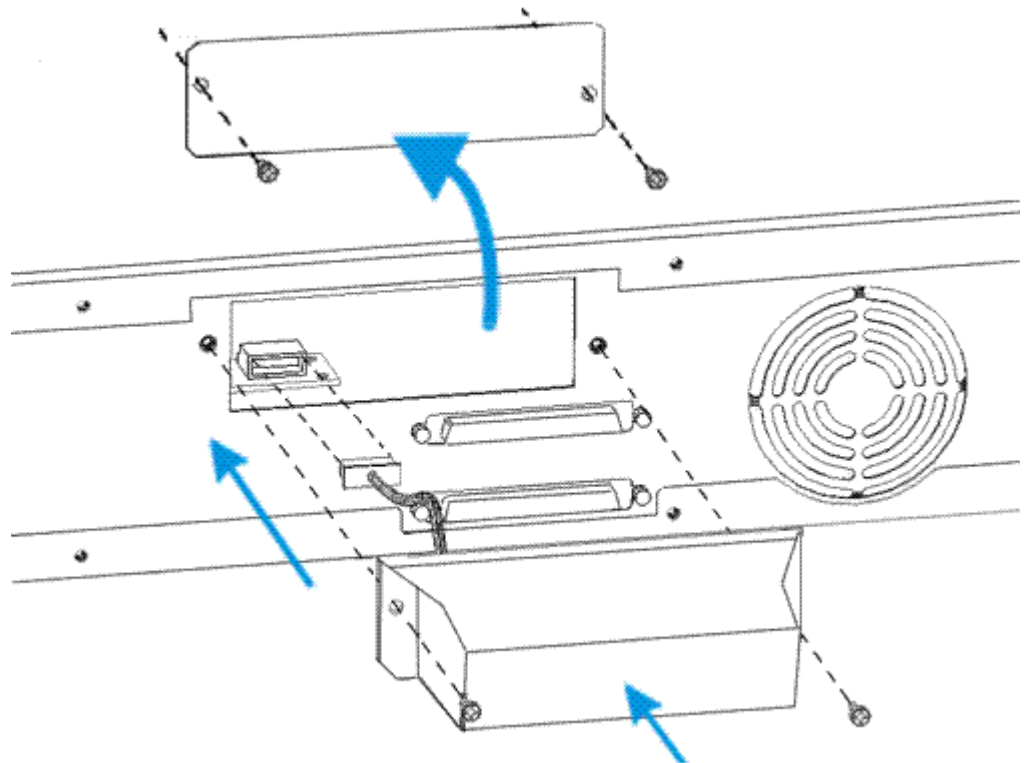
The following tools are required to install or remove a barcode reader:

- A small flat blade screwdriver

Installing a Barcode Reader

Use the following instructions to install the barcode reader. Use Figure 1 as a reference.

Figure 1 Installing a barcode reader



To install a barcode reader

1. Power down your autoloader and remove the power cord from the outlet.
2. Locate the cover plate on the rear panel of the autoloader. Using a flat blade screwdriver, remove the cover plate.
Save the screws for step 4. Store the cover plate in a secure location.
3. Attach the barcode reader cable to the barcode outlet.
4. Using a flat blade screwdriver, attach the barcode reader to the rear panel of the autoloader using the screws from the cover plate.
5. Reconnect the SCSI cables and power cords to your autoloader.

Configuring the Barcode Reader

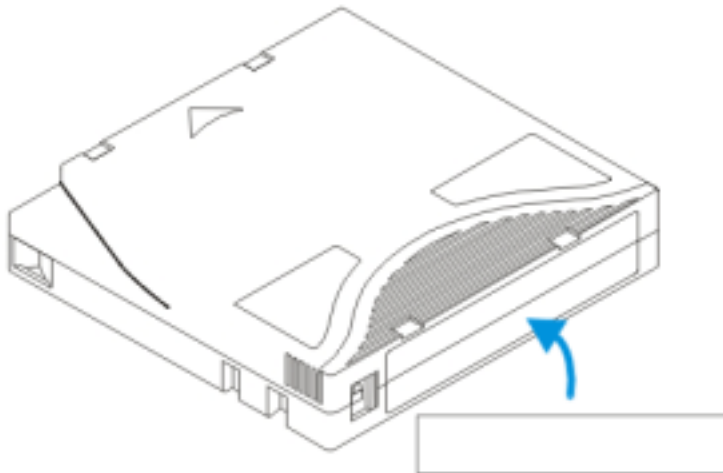
The StorEdge L8 barcode reader is controlled solely through the host software. The Operator Panel of the StorEdge L8 does not change to reflect the addition of the barcode reader; however, the autoloader and host system will sense the presence of the barcode reader and enable the barcode read function on initial power up. For information on configuring the barcode reader, see the host software documentation.

Applying Barcode Labels to Cartridges

After installing the barcode reader, before inserting any data cartridges into your autoloader, affix barcode labels to your data cartridges.

To install the barcode labels

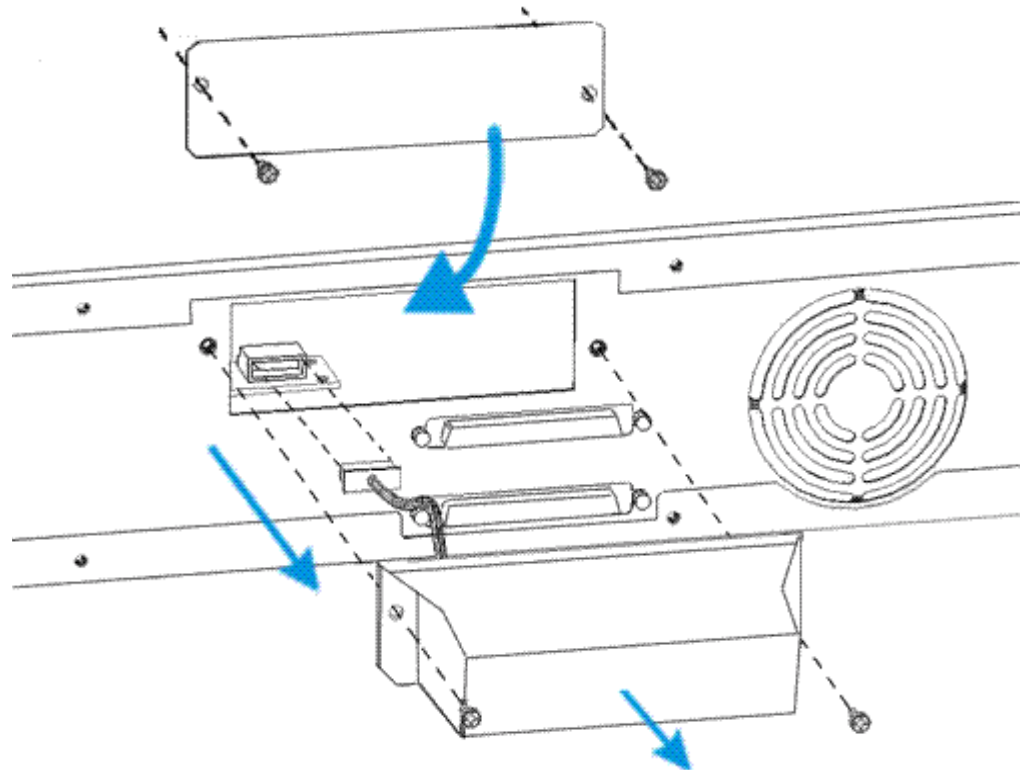
- Peel off the label and place it on the cartridge as shown in the following figure.



Removing a Barcode Reader

Use the following instructions to remove a barcode reader from your autoloader. Use Figure 2 as a reference.

Figure 2 Removing a barcode reader



To remove a barcode reader

1. Power down your autoloader and remove the power cord from the outlet.
2. Locate the barcode reader on the rear of the autoloader. Using a flat blade screwdriver, unscrew the two screws that secure the barcode reader to the autoloader.
3. Unplug the barcode reader cord from the barcode outlet.
4. Replace the cover panel on the back of the autoloader, using the screws that secured the barcode scanner to the autoloader.

The cover panel will prevent dust and other foreign items from entering the autoloader.

5. Reconnect the SCSI cables and power cords to your autoloader.
6. Store the barcode reader in a cool dry place.

6-00525-01