

StorEdge™ L8

Rackmount/Desktop Conversion Instructions



Copyright Notice

© 2003 Sun Microsystems, Inc.

The information contained in this document is subject to change without notice.

This document contains proprietary information which is protected by copyright. All rights are reserved. No part of this document may be photocopied, reproduced, or translated to another language without prior written consent of Sun.

Sun shall not be liable for errors contained herein or for incidental or consequential damages (including lost profits) in connection with the furnishing, performance or use of this material whether based on warranty, contract, or other legal theory.

Sun, Sun Microsystems, and StorEdge are trademarks of Sun Microsystems Inc. All trademarks within this document are the property of their respective owners.

Published: January 2003

Part No.: 6-00526-01

Contents

Rackmount/Desktop Conversion Instructions	1
Rackmount Kit Hardware	1
Tools Required	1
Converting from Desktop to Rackmount	1
Converting from Rackmount to Desktop	4

Rackmount/Desktop Conversion Instructions

You can easily convert your StorEdge L8 autoloader from a desktop to a rackmount configuration or from a rackmount to a desktop configuration.

Before you begin, heed the following guidelines:

- For continued safe operation, the recommended maximum internal ambient temperature of the rack should not exceed 104 °F (40 °C).
- While installing a rackmounted unit, do not block or otherwise restrict airflow to the front or rear vents.
- To maintain rack stability, consider the mechanical loading of the rack to ensure a low center of gravity.
- Before installing a unit into a rack, consider the overall loading of the branch circuit supplying power to the rack.
- Ensure that a reliable Earthing path is maintained in rack system. This unit is intended to be connected to Earth ground.

Rackmount Kit Hardware

Table 1 displays all items shipped with the Rackmount Kit.

Table 1 Rackmount Kit components

Description	Quantity
Rail assembly (right and left side)	2
L-brackets (right and left side)	2
Phillips screws	10

Tools Required

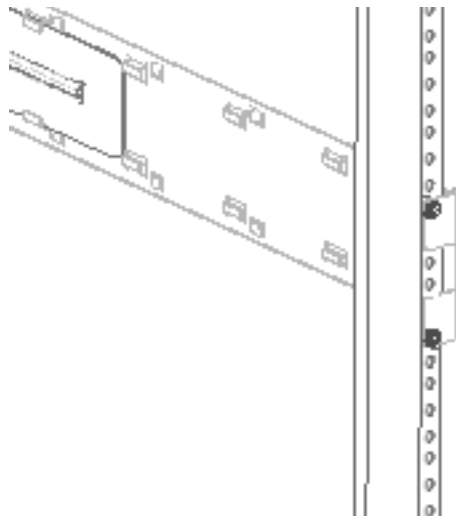
- Small flat blade screwdriver
- #2 Phillips screwdriver

Converting from Desktop to Rackmount

Use the following instructions to convert a desktop to a rackmounted unit.

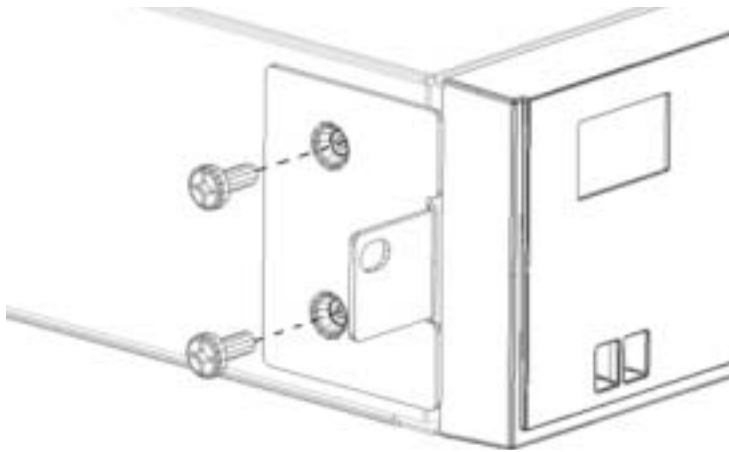
To rackmount your autoloader

1. Open the shipping carton, remove the rail assemblies and associated hardware. Verify that you have all the components listed in Table 1.
2. Position the left rail assembly to your rack, matching the holes on the front of the rails with the holes on your rack.
3. Using a # 2 Phillips screwdriver, attach the rail assembly to your rack with four of the Phillips screws.



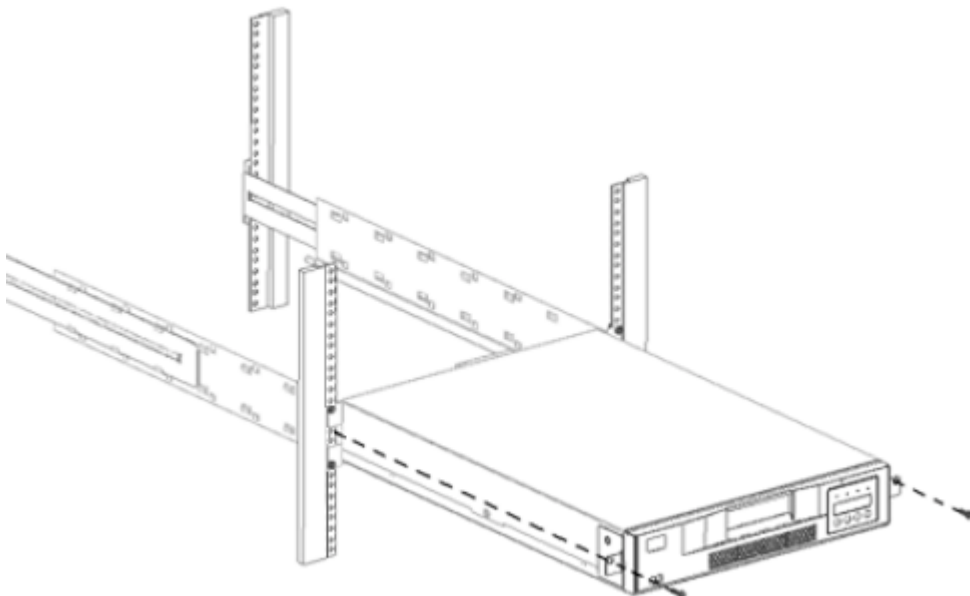
4. Repeat to install the right rail assembly.
5. Power down the autoloader and remove all SCSI cables and power cords from the rear of the autoloader.
6. Using a small flat blade screwdriver, remove the front two screws that secure the right and left side of the autoloader cover.
Save the screws for step 7.
7. Match the holes on the L-brackets to the holes on the autoloader cover. (Verify that the hole on the front flange is on the upper side of the flange.) Using a small

flat blade screwdriver, attach the brackets to the autoloader with the screws from step 6.

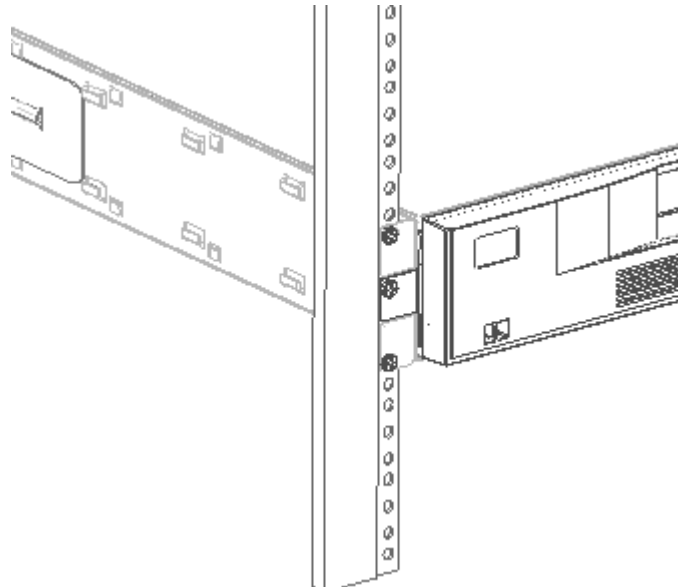


8. Position the autoloader in the rack by sliding it into the rail assembly and matching the holes in the rack with the holes on the L-brackets.

Verify that the restraint tabs at the rear of the rail assembly slide into the back of the autoloader and that the L-bracket is fully seated against the front flange of the rack.



- Using a #2 Phillips screwdriver, attach the L-brackets to the rack with the two remaining Phillips screws.



- Reconnect the SCSI cables and power cords to your autoloader (see the *StorEdge L8 User's Guide*).

Your autoloader is now ready for use as a rackmounted unit.

Converting from Rackmount to Desktop

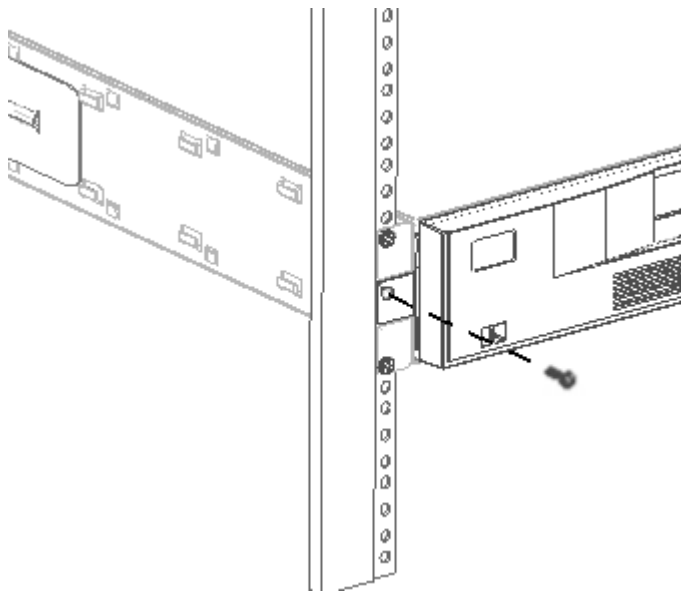
When converting a rackmounted autoloader to a desktop unit, you must first remove the unit from the rackmount assembly, and then remove the L-brackets from the autoloader.

To convert from rackmount to desktop

- Power down the autoloader and remove all SCSI cables and power cords from the rear of the autoloader.

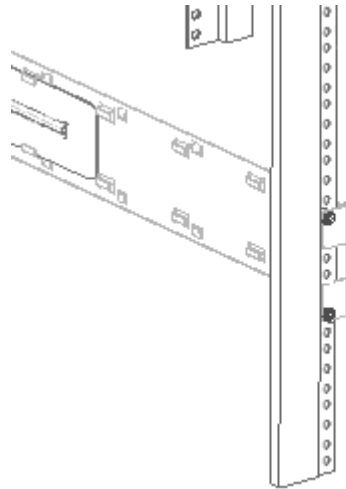
- Using a #2 Phillips screwdriver, remove the screws that secure the L-brackets to the rack.

Store the screws in a secure location.

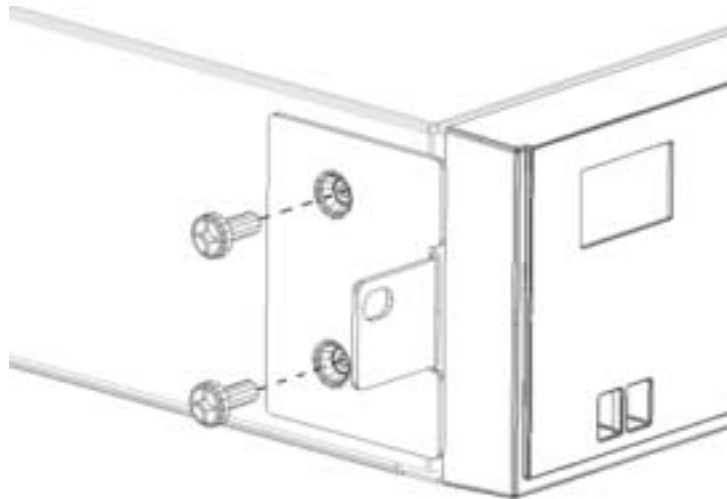


- Slide the autoloader out of the rack and set it on a cleared, flat work surface.

- Using a # 2 Phillips screwdriver, remove the rail assemblies by removing the screws that secure them to the rack.



- Using a small flat blade screwdriver, remove the screws that secure the L-brackets to the autoloader (two on each side).



- Re-install the four screws (from step 5.) back into the right and left side of the autoloader to secure the autoloader cover.

7. Reconnect the SCSI cables and power cords to your autoloader (see the *StorEdge L8 User's Guide*).

Your autoloader is now ready for use as a desktop unit. Store the screws, L-brackets, and rail assemblies in a secure location in case you ever want to rackmount your autoloader again.

6-00526-01